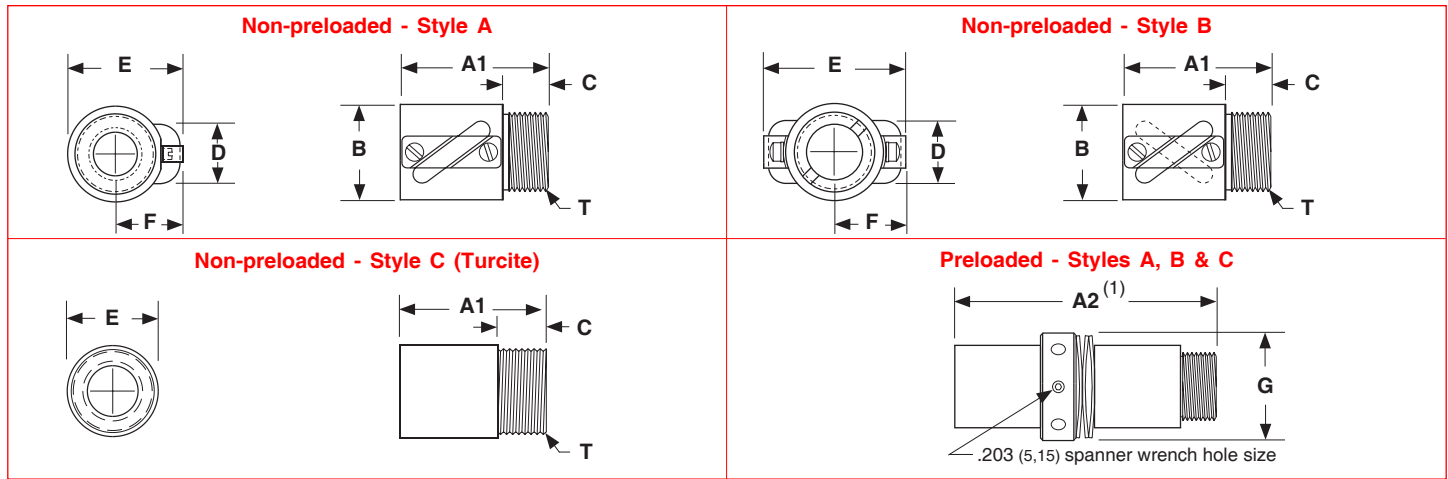
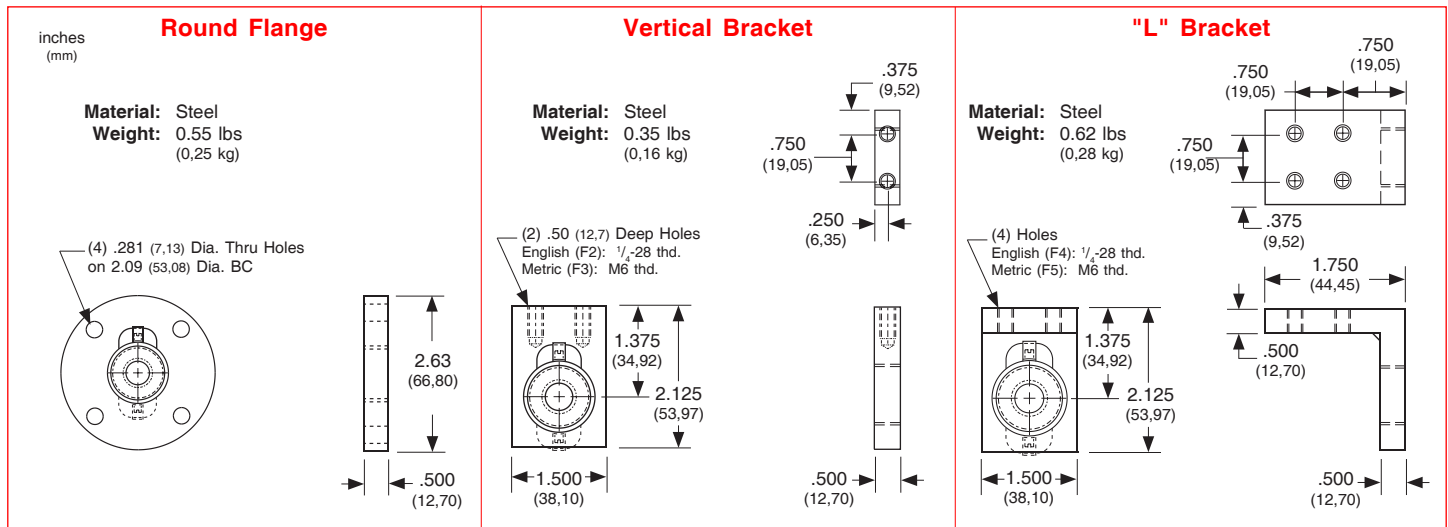


Nut Dimensions



Nut Flange Dimensions



Model Number	Nut Style	Nut Dimensions inches (mm)									Nut Weight ⁽³⁾ lbs (kg)
		A1	A2 ⁽¹⁾	B	C	D	E	F	T - "V" Threads ⁽²⁾	G	
RS062020	A	1.720 (43,69)	3.750 (95,25)	1.130 (28,70)	0.505 (12,83)	0.787 (19,99)	1.360 (34,54)	0.800 (20,32)	$15/16$ - 16 UN-2A (23,81 - 16 UN-2A)	1.420 (36,07)	0.50 (0,22)
RS062100	B	1.720 (43,69)	3.750 (95,25)	1.125 (28,57)	0.500 (12,70)	0.760 (19,30)	1.654 (42,01)	0.827 (21,00)	$15/16$ - 16 UN-2A (23,81 - 16 UN-2A)	1.420 (36,07)	0.28 (0,13)
RS062020	C	1.130 (28,70)	2.850 (72,39)	n/a	0.505 (12,83)	n/a	1.000 (25,40)	n/a	$15/16$ - 16 UN-2A (23,81 - 16 UN-2A)	n/a	0.20 (0,09)
RS062100	C	1.130 (28,70)	2.850 (72,39)	n/a	0.500 (12,70)	n/a	1.000 (25,40)	n/a	$15/16$ - 16 UN-2A (23,81 - 16 UN-2A)	n/a	0.20 (0,09)

Footnotes:

- (1) This is the length for a preloaded nut. Preloaded nut consists of two (2) non-preloaded nuts with a locking spanner nut, and belville springs.
- (2) All flange threads are internal (Type 2B) to match the external nut threads.
- (3) Weight of the non-preloaded nut. Multiply value by 2.1 to obtain the weight for the preloaded nut assembly.