

**9 06 06 - WC0 - 1 - S005 - M02 - C155 - L01 - E00 - B00**

**Table Series**

**Carriage Length**

**06** - 6 inches      **12** - 12 inches

**Travel Length** (see pages D-6 & D-8)

**06** - 6 to 60 inches

**Waycovers**

**WC0** - with no waycovers    **WC1** - with waycovers

**Carriage Inserts** (see pages D-7 & D-9)

**1** - English mount      **2** - Metric mount

**Screw Options** (see pages D-18 to D-25)

<i>Rolled ball screws</i>	<i>Rolled ball screws</i>	<i>Precision ball screws</i>
<b>S005</b> - .625 x .200 NPL	<b>S021</b> - 1.000 x .250 NPL	<b>S114</b> - .625 x .200 NPL
<b>S006</b> - .625 x .200 PL	<b>S022</b> - 1.000 x .250 PL	<b>S115</b> - .625 x .200 PL
<b>S007</b> - .625 x .200 NPL(T)	<b>S023</b> - 1.000 x .250 NPL(T)	<b>S116</b> - 16 x 5 NPL
<b>S008</b> - .625 x .200 PL(T)	<b>S024</b> - 1.000 x .250 PL(T)	<b>S117</b> - 16 x 5 PL
<b>S009</b> - .625 x 1.000 NPL	<b>S025</b> - 1.000 x .500 NPL	<b>S118</b> - 16 x 10 NPL
<b>S010</b> - .625 x 1.000 PL	<b>S026</b> - 1.000 x .500 PL	<b>S119</b> - 16 x 10 PL
<b>S011</b> - .625 x 1.000 NPL(T)	<b>S027</b> - 1.000 x .500 NPL(T)	<b>S120</b> - 16 x 16 NPL
<b>S012</b> - .625 x 1.000 PL(T)	<b>S028</b> - 1.000 x .500 PL(T)	<b>S121</b> - 16 x 16 PL
<b>S013</b> - .750 x .200 NPL	<b>S029</b> - 1.000 x 1.000 NPL	<b>S122</b> - .750 x .200 NPL
<b>S014</b> - .750 x .200 PL	<b>S030</b> - 1.000 x 1.000 PL	<b>S123</b> - .750 x .200 PL
<b>S015</b> - .750 x .200 NPL(T)	<b>S031</b> - 1.000 x 1.000 NPL(T)	<b>S124</b> - 20 x 5 NPL
<b>S016</b> - .750 x .200 PL(T)	<b>S032</b> - 1.000 x 1.000 PL(T)	<b>S125</b> - 20 x 5 PL
<b>S017</b> - .750 x .500 NPL		<b>S128</b> - 20 x 20 NPL
<b>S018</b> - .750 x .500 PL	<i>Ground ball screws</i>	<b>S129</b> - 20 x 20 PL
<b>S019</b> - .750 x .500 NPL(T)	<b>S212</b> - .625 x .200 PL	
<b>S020</b> - .750 x .500 PL(T)	<b>S213</b> - .625 x .500 PL	<i>Rolled acme screws</i>
	<b>S214</b> - 16 x 5 PL	<b>S300</b> - .625 x .100 NPL
	<b>S215</b> - 16 x 16 PL	<b>S301</b> - .625 x .100 PL
<b>S999</b> - other		<b>S302</b> - .625 x .200 NPL
		<b>S303</b> - .625 x .200 PL

**Motor Mount** (see pages D-7 & D-9, D-28 to D-29)

<b>M00</b> - none	<b>M02</b> - NEMA 23 mount (E)	<b>M07</b> - NEMA 23 (LH) wrap
<b>M01</b> - hand crank	<b>M03</b> - NEMA 23 mount (M)	<b>M08</b> - NEMA 34 (RH) wrap
	<b>M04</b> - NEMA 34 mount (E)	<b>M09</b> - NEMA 34 (LH) wrap
<b>M99</b> - other	<b>M05</b> - NEMA 34 mount (M)	<b>M12</b> - NEMA 42 (RH) wrap
	<b>M06</b> - NEMA 23 (RH) wrap	<b>M13</b> - NEMA 42 (LH) wrap

**Coupling Options** (see pages D-26 to D-27)

<b>C000</b> - none	<b>C025 to C029</b> - C100	<b>C130 to C136</b> - H100	<b>C407 to C415</b> - G100
<b>C999</b> - other	<b>C048 to C055</b> - C125	<b>C155 to C184</b> - H131	<b>C435 to C464</b> - G126

**Limit & Home Switches** (see pages D-15 to D-17)

<b>L00</b> - no switches		Mechanical	Reed	Hall	Prox (NPN)	Prox (PNP)
<b>L99</b> - other	EOT & home switches	<b>L01</b>	<b>L04</b>	<b>L07</b>	<b>L10</b>	<b>L13</b>
	EOT switches only	<b>L02</b>	<b>L05</b>	<b>L08</b>	<b>L11</b>	<b>L14</b>
	home switch only	<b>L03</b>	<b>L06</b>	<b>L09</b>	<b>L12</b>	<b>L15</b>

**Encoder Options** (see page D-31)

<b>E00</b> - none	<b>E02</b> - rotary (1000 lines/rev)	<b>E10</b> - linear (2500 lines/inch)	<b>E99</b> - other
<b>E01</b> - rotary (500 lines/rev)	<b>E03</b> - rotary (1270 lines/rev)	<b>E11</b> - linear (125 lines/mm)	

**Power-off Brakes** (see page D-30)

<b>B00</b> - none	<b>B01</b> - 24 VDC	<b>B02</b> - 90 VDC	<b>B99</b> - other
-------------------	---------------------	---------------------	--------------------

(E) - English Interface    (NPL) - Non Preloaded  
 (LH) - Left Hand        (PL) - Preloaded  
 (T) - Turcite Nut        (M) - Metric Interface    (RH) - Right Hand

Specifications subject to change without notice

## Specifications

Load Capacities		6 inch (4 bearing) Carriage		12 inch (4 bearing) Carriage	
<b>Dynamic Horizontal</b> <sup>(1)</sup>	2 million inches (50 km) of travel	3,300 lbs	( 1496 kg)	3,300 lbs	( 1496 kg)
<b>Dynamic Horizontal</b> <sup>(1)</sup>	100 million inches (2540 km) of travel	885 lbs	( 401 kg)	885 lbs	( 401 kg)
<b>Static Horizontal</b> <sup>(1)</sup>		5,000 lbs	( 2268 kg)	5,000 lbs	( 2268 kg)
<b>Dynamic Roll Moment</b> <sup>(1)</sup>	2 million inches (50 km) of travel	380 ft-lbs	( 515 N-m)	380 ft-lbs	( 515 N-m)
<b>Dynamic Roll Moment</b> <sup>(1)</sup>	100 million inches (2540 km) of travel	102 ft-lbs	( 138 N-m)	102 ft-lbs	( 138 N-m)
<b>Static Roll Moment</b> <sup>(1)</sup>		575 ft-lbs	( 780 N-m)	575 ft-lbs	( 780 N-m)
<b>Dyn. Pitch &amp; Yaw Moment</b> <sup>(1)</sup>	2 million inches (50 km) of travel	150 ft-lbs	( 203 N-m)	525 ft-lbs	( 712 N-m)
<b>Dyn. Pitch &amp; Yaw Moment</b> <sup>(1)</sup>	100 million inches (2540 km) of travel	41 ft-lbs	( 55 N-m)	141 ft-lbs	( 191 N-m)
<b>Static Pitch &amp; Yaw Moment</b> <sup>(1)</sup>		225 ft-lbs	( 305 N-m)	790 ft-lbs	( 1071 N-m)
<b>Each Bearing Dyn. Cap.</b> <sup>(1)</sup>	2 million inches (50 km) of travel	825 lbs	( 374 kg)	825 lbs	( 374 kg)
<b>Each Bearing Dyn. Cap.</b> <sup>(1)</sup>	100 million inches (2540 km) of travel	222 lbs	( 100 kg)	222 lbs	( 100 kg)
<b>Each Bearing Static Load Capacity</b> <sup>(1)</sup>		1,250 lbs	( 567 kg)	1,250 lbs	( 567 kg)
<b>Thrust Force Capacity</b>	10 million screw revolutions	895 lbs	( 406 kg)	895 lbs	( 406 kg)
<b>Thrust Force Capacity</b>	500 million screw revolutions	240 lbs	( 109 kg)	240 lbs	( 109 kg)
<b>Maximum Acceleration</b>		772 in/sec <sup>2</sup>	( 19,6 m/sec <sup>2</sup> )	772 in/sec <sup>2</sup>	( 19,6 m/sec <sup>2</sup> )
<b>d<sub>1</sub></b>	Center to center distance (spread) between the two rails	4.500 in	(114,3 mm)	4.500 in	(114,3 mm)
<b>d<sub>2</sub></b>	Center to center distance (spacing) of the bearings on a single rail	2.500 in	( 63,5 mm)	8.620 in	(218,9 mm)
<b>d<sub>r</sub></b>	Center distance of the bearing to top of carriage plate surface	1.437 in	( 36,5 mm)	1.437 in	( 36,5 mm)

Other	For Six (6) & Twelve (12) inch Carriages
<b>Table Material</b>	Base, Carriage, End Plates, & Cover Plate option - 6061 anodized aluminum
<b>Linear Rail Material</b>	Case Hardened Steel
<b>Screw Material</b> (see pages D-18 to D-25)	Acme Screw - Stainless Steel
<b>Screw Material</b> (see pages D-18 to D-25)	Rolled Ball, Precision Ball, & Ground Ball - Case Hardened Steel
<b>Straightness</b>	< 0.00016 in/in (< 4,06 microns/25mm)
<b>Flatness</b>	< 0.00016 in/in (< 4,06 microns/25mm)
<b>Orthogonality</b> (multi-axis systems)	< 30 arc-seconds
<b>Friction Coefficient</b>	< 0.01
<b>Motor Mount</b>	NEMA 23 & 34 Mounts, Metric Mounts, Motor Wraps, and Hand Crank Option
<b>Coupling</b>	Three (3) different styles available
<b>Waycover Material</b>	Hypilon Polyester Bellows firmly mounted to carriage & end plates

### Footnotes:

(1) Derate value by 50 % when load is applied to the open end of the bearing (such as in moment loads and inverted configurations).

## Dimensions & Specifications

- Without Waycovers -

Model Number	Travel Length inches (mm)	Table Dimensions inches (mm)		Mounting Dimensions inches (mm)				Screw Length inches (mm)	Table <sup>(1)</sup> Weight lbs (kg)
		A	B	C	D	E	M		
<b>90606-WC0</b>	6 (150)	13.25 (336,5)	15.75 (400,0)	10.00 (254,0)	6.00 (152,4)	4.00 (101,6)	6	14.94 (379,4)	13.3 (6,0)
<b>90612-WC0</b>	12 (300)	19.25 (488,9)	21.75 (552,4)	16.00 (406,4)	See Detail 1		8	20.94 (531,9)	16.8 (7,6)
<b>90618-WC0</b>	18 (455)	25.25 (641,3)	27.75 (704,8)	22.00 (558,8)	See Detail 2		10	26.94 (684,3)	20.0 (9,1)
<b>90624-WC0</b>	24 (605)	31.25 (793,7)	33.75 (857,2)	28.00 (711,2)	See Detail 3		14	32.94 (836,7)	31.0 (14,1)
<b>90630-WC0</b>	30 (760)	37.25 (946,1)	39.75 (1009,6)	34.00 (863,6)	See Detail 4		16	38.94 (989,1)	36.0 (16,3)
<b>90636-WC0</b>	36 (910)	43.25 (1098,5)	45.75 (1162,0)	40.00 (1016,0)	See Detail 5		18	44.94 (1141,5)	41.0 (18,6)
<b>90648-WC0</b>	48 (1215)	55.25 (1403,3)	57.75 (1466,8)	52.00 (1320,8)	See Detail 7		24	56.94 (1446,3)	51.0 (23,1)
<b>90660-WC0</b>	60 (1520)	67.25 (1708,1)	69.75 (1771,6)	64.00 (1625,6)	See Detail 9		28	68.94 (1751,1)	61.0 (27,7)
<b>91206-WC0</b>	6 (150)	19.25 (488,9)	21.75 (552,4)	16.00 (406,4)	See Detail 1		8	20.94 (531,9)	21.3 (9,7)
<b>91212-WC0</b>	12 (300)	25.25 (641,3)	27.75 (704,8)	22.00 (558,8)	See Detail 2		10	26.94 (684,3)	23.5 (10,7)
<b>91218-WC0</b>	18 (455)	31.25 (793,7)	33.75 (857,2)	28.00 (711,2)	See Detail 3		14	32.94 (836,7)	33.0 (15,0)
<b>91224-WC0</b>	24 (605)	37.25 (946,1)	39.75 (1009,6)	34.00 (863,6)	See Detail 4		16	38.94 (989,1)	38.0 (17,2)
<b>91230-WC0</b>	30 (760)	43.25 (1098,5)	45.75 (1162,0)	40.00 (1016,0)	See Detail 5		18	44.94 (1141,5)	43.0 (19,5)
<b>91236-WC0</b>	36 (910)	49.25 (1250,9)	51.75 (1466,8)	46.00 (1168,4)	See Detail 6		24	50.94 (1293,9)	48.0 (21,8)
<b>91248-WC0</b>	48 (1215)	61.25 (1555,7)	63.75 (1619,2)	58.00 (1473,2)	See Detail 8		28	62.94 (1598,7)	58.0 (26,3)
<b>91260-WC0</b>	60 (1520)	73.25 (1860,5)	75.75 (1924,0)	70.00 (1778,0)	See Detail 10		30	74.94 (1903,5)	68.0 (30,8)

{

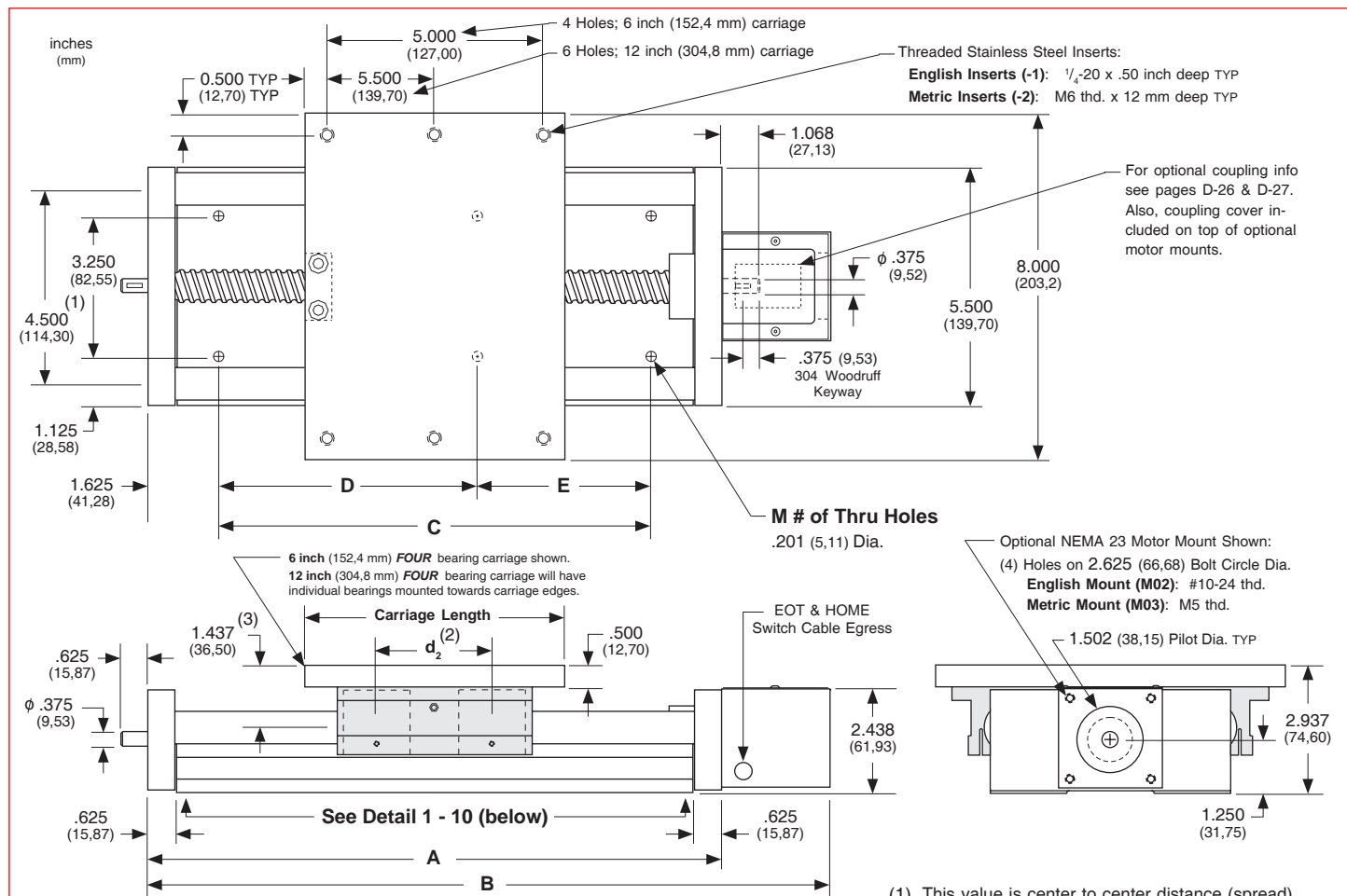
 06 = Carriage length is 06 inch (152,4 mm) with 4 bearings; Carriage weight = 5.25 lbs. (2,38 kg)  
 12 = Carriage length is 12 inch (304,8 mm) with 4 bearings; Carriage weight = 8.00 lbs. (3,63 kg)

### Footnotes:

(1) Weight shown is with a 0.625 inch (16 mm) diameter screw, a NEMA 23 motor mount [0.34 lbs (0,16 kg)], and a C100 style [0.09 lbs (0,04 kg)] coupling. When using a 0.750 inch (20 mm) diameter screw add 0.042 lbs per inch (0,00075 kg per mm) of screw length for a given model number. When using a 1.000 inch diameter screw add 0.117 lbs per inch (0,0021 kg per mm) of screw length for a given model number.

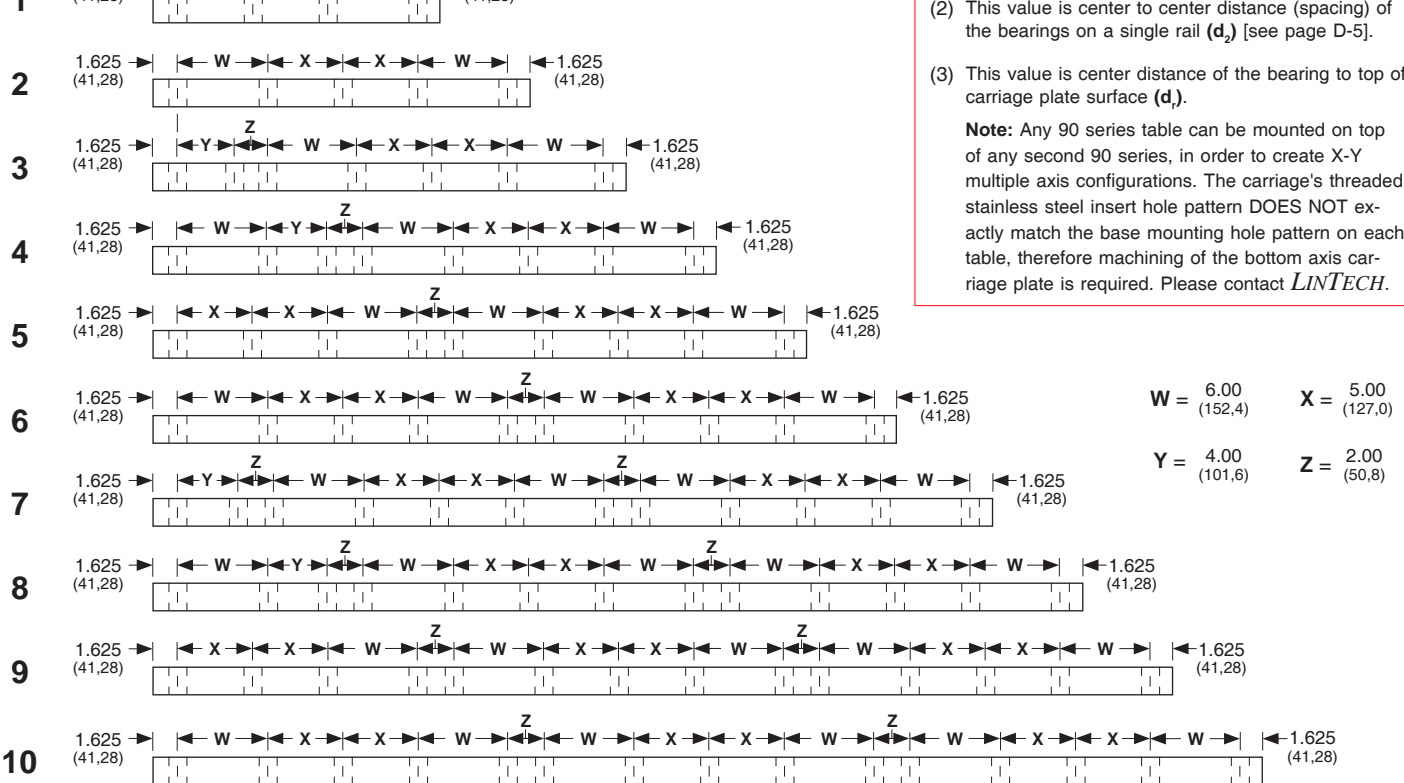
## Dimensions

### - Without Waycovers -



- (1) This value is center to center distance (spread) between the two rails ( $d_1$ ).
  - (2) This value is center to center distance (spacing) of the bearings on a single rail ( $d_2$ ) [see page D-5].
  - (3) This value is center distance of the bearing to top of carriage plate surface ( $d_3$ ).
- Note:** Any 90 series table can be mounted on top of any second 90 series, in order to create X-Y multiple axis configurations. The carriage's threaded stainless steel insert hole pattern **DOES NOT** exactly match the base mounting hole pattern on each table, therefore machining of the bottom axis carriage plate is required. Please contact **LINTECH**.

### Mounting Details 1 through 10



Specifications subject to change without notice

## Dimensions & Specifications

- With Waycovers -

Model Number	Travel Length inches (mm)	Table Dimensions inches (mm)		Mounting Dimensions inches (mm)				Screw Length inches (mm)	Table <sup>(1)</sup> Weight lbs (kg)
		A	B	C	D	E	M		
90604-WC1	4.7 (119)	13.25 (336,5)	15.75 (400,0)	10.00 (254)	6.00 (152,4)	4.00 (101,6)	6	14.94 (379,4)	14.2 (6,5)
90609-WC1	9.7 (246)	19.25 (488,9)	21.75 (552,4)	16.00 (406,4)	See Detail 1		8	20.94 (531,9)	18.2 (8,3)
90614-WC1	14.8 (375)	25.25 (641,3)	27.75 (704,8)	22.00 (558,8)	See Detail 2		10	26.94 (684,3)	21.8 (9,9)
90619-WC1	19.8 (502)	31.25 (793,7)	33.75 (857,2)	28.00 (711,2)	See Detail 3		14	32.94 (836,7)	33.2 (15,1)
90624-WC1	24.9 (632)	37.25 (946,1)	39.75 (1009,6)	34.00 (863,6)	See Detail 4		16	38.94 (989,1)	38.6 (17,5)
90629-WC1	29.9 (759)	43.25 (1098,5)	45.75 (1162,0)	40.00 (1016,0)	See Detail 5		18	44.94 (1141,5)	44.0 (20,0)
90640-WC1	40.2 (1021)	55.25 (1403,3)	57.75 (1466,8)	52.00 (1320,8)	See Detail 7		24	56.94 (1446,3)	54.9 (24,9)
90650-WC1	50.2 (1275)	67.25 (1708,1)	69.75 (1771,6)	64.00 (1625,6)	See Detail 9		28	68.94 (1751,1)	65.7 (29,8)
91204-WC1	4.7 (119)	19.25 (488,9)	21.75 (552,4)	16.00 (406,4)	See Detail 1		8	20.94 (531,9)	22.3 (10,1)
91209-WC1	9.7 (246)	25.25 (641,3)	27.75 (704,8)	22.00 (558,8)	See Detail 2		10	26.94 (684,3)	24.9 (11,3)
91214-WC1	14.8 (375)	31.25 (793,7)	33.75 (857,2)	28.00 (711,2)	See Detail 3		14	32.94 (836,7)	34.8 (15,8)
91219-WC1	19.8 (502)	37.25 (946,1)	39.75 (1009,6)	34.00 (863,6)	See Detail 4		16	38.94 (989,1)	40.2 (18,2)
91224-WC1	24.9 (632)	43.25 (1098,5)	45.75 (1162,0)	40.00 (1016,0)	See Detail 5		18	44.94 (1141,5)	45.6 (20,7)
91229-WC1	29.9 (759)	49.25 (1250,9)	51.75 (1466,8)	46.00 (1168,4)	See Detail 6		24	50.94 (1293,9)	51.0 (23,1)
91240-WC1	40.2 (1021)	61.25 (1555,7)	63.75 (1619,2)	58.00 (1473,2)	See Detail 8		28	62.94 (1598,7)	61.9 (28,1)
91250-WC1	50.2 (1275)	73.25 (1860,5)	75.75 (1924,0)	70.00 (1778,0)	See Detail 10		30	74.94 (1903,5)	72.7 (33,0)

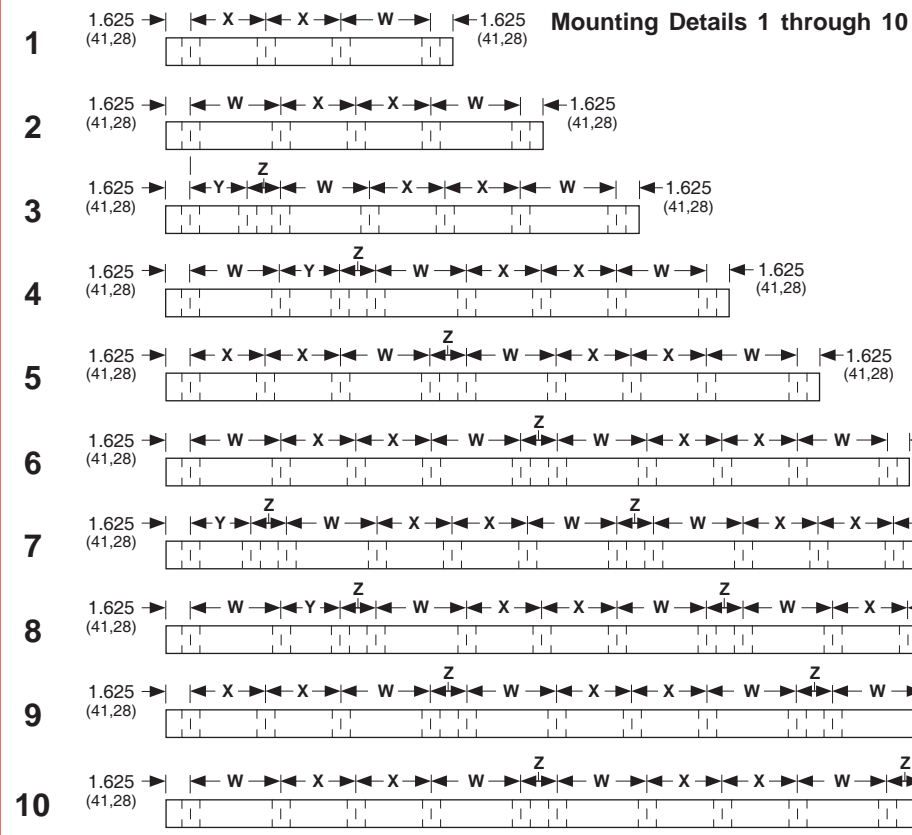
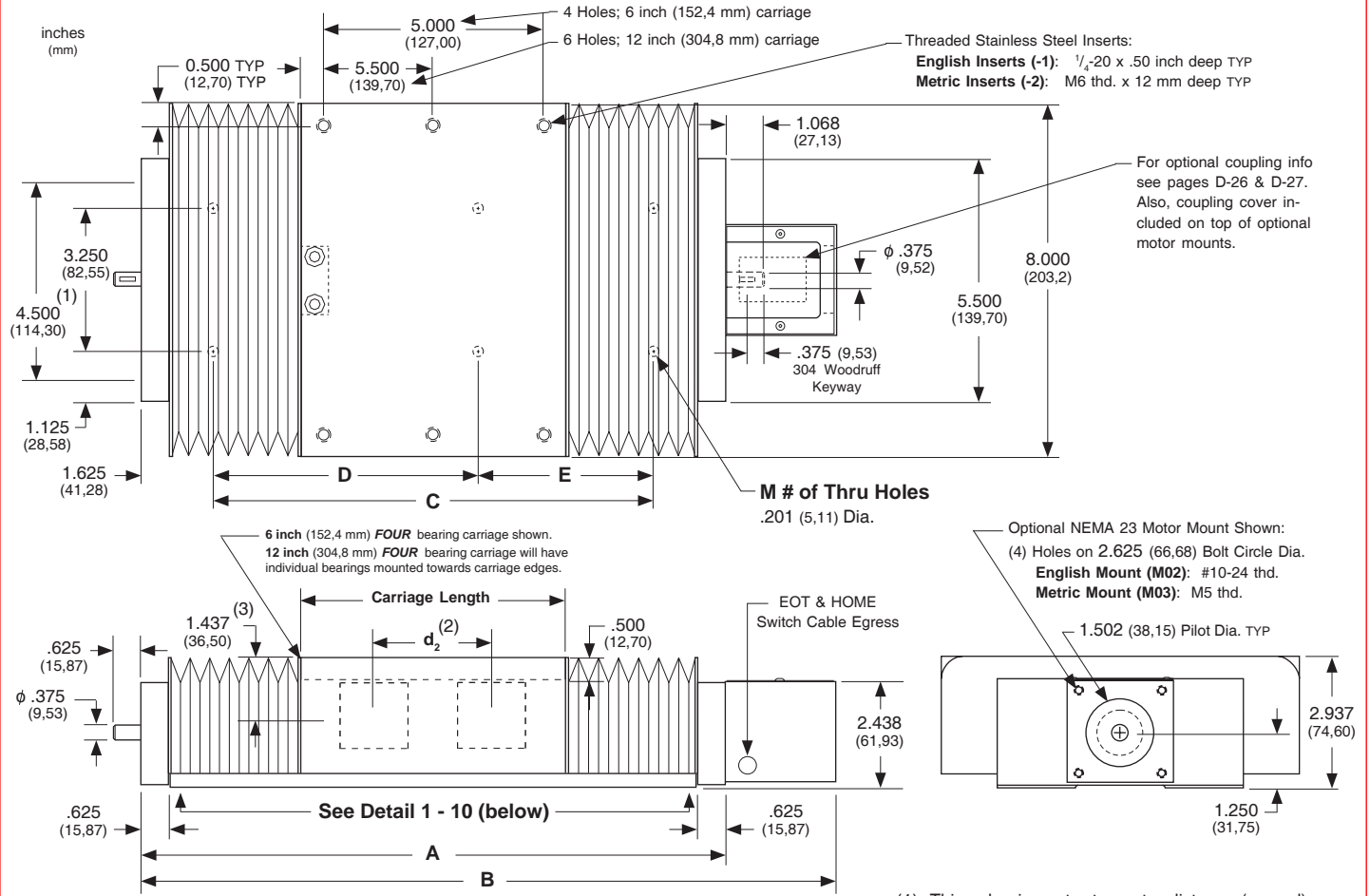
{ 06 = Carriage length is 06 inch (152,4 mm) with 4 bearings; Carriage weight = 5.75 lbs. (2,61 kg)  
} 12 = Carriage length is 12 inch (304,8 mm) with 4 bearings; Carriage weight = 8.75 lbs. (3,97 kg)

### Footnotes:

(1) Weight shown is with a 0.625 inch (16 mm) diameter screw, a NEMA 23 motor mount [0.34 lbs (0,16 kg)], and a C100 style [0.09 lbs (0,04 kg)] coupling. When using a 0.750 inch (20 mm) diameter screw add 0.042 lbs per inch (0,00075 kg per mm) of screw length for a given model number. When using a 1.000 inch diameter screw add 0.117 lbs per inch (0,0021 kg per mm) of screw length for a given model number.

Dimensions

- With Waycovers -



- (1) This value is center to center distance (spread) between the two rails ( $d_1$ ).
  - (2) This value is center to center distance (spacing) of the bearings on a single rail ( $d_2$ ) [see page D-5].
  - (3) This value is center distance of the bearing to top of carriage plate surface ( $d_3$ ).
- Note:** Any 90 series table can be mounted on top of any second 90 series, in order to create X-Y multiple axis configurations. The carriage's threaded stainless steel insert hole pattern DOES NOT exactly match the base mounting hole pattern on each table, therefore machining of the bottom axis carriage plate is required. Please contact *LINTECH*.

$W = 6.00$ (152,4)	$X = 5.00$ (127,0)
$Y = 4.00$ (101,6)	$Z = 2.00$ (50,8)

Specifications subject to change without notice