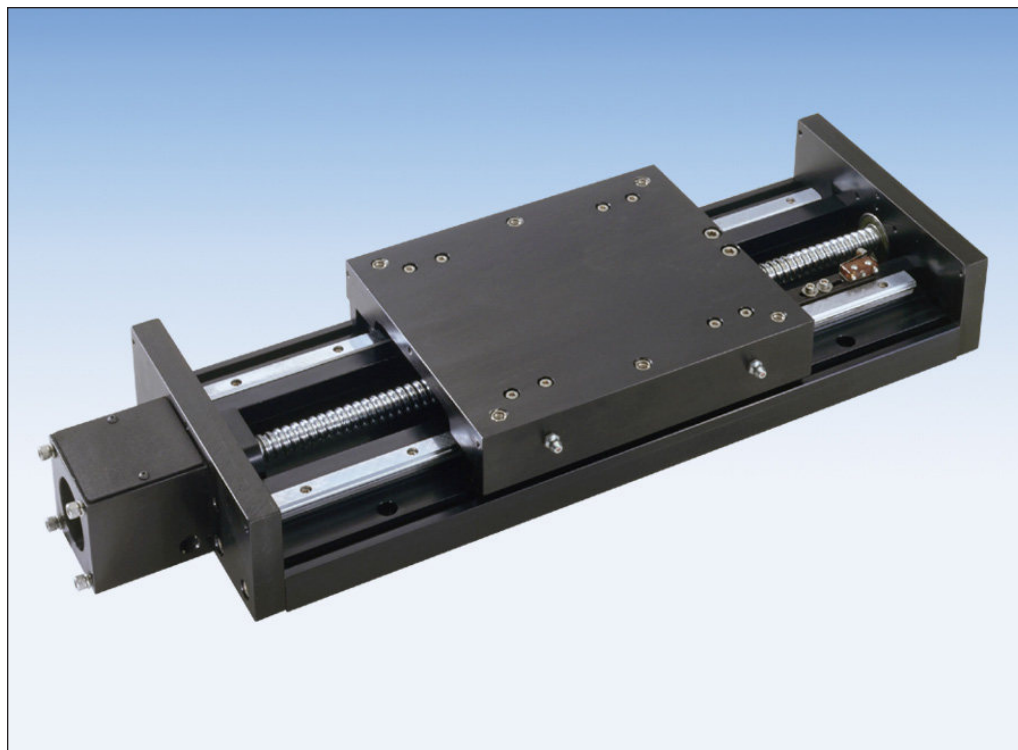


# 200 Series Positioning Tables



Introduction _____	H-2
Ordering Guide _____	H-4
Specifications _____	H-5
Dimensions _____	H-6
Linear Bearing Load Capacity _____	H-10
Screw Travel Life _____	H-11
Thrust Capacity (axial load) _____	H-12
Table Deflection _____	H-13
Multiple Axis Configurations _____	H-14
EOT & Home Switches _____	H-15
Screw Options _____	H-18
Motor Couplings _____	H-22
Motor Mount Options _____	H-24
Power-off Electric Brakes _____	H-26
Linear & Rotary Encoders _____	H-27

## Single or Multiple Axis

*LINTECH's* 200 series positioning tables offer precision performance and design flexibility for use in a wide variety of Motion Control applications.

- ❑ *Welding*
- ❑ *Test Stands*
- ❑ *Part Insertion*
- ❑ *Laser Positioning*
- ❑ *Liquid Dispensing*
- ❑ *Semiconductor Processing*
- ❑ *Gluing*
- ❑ *Pick & Place*
- ❑ *Part Scanning*
- ❑ *Inspection Stations*
- ❑ *General Automation*

## Quality Construction

*LINTECH's* 200 series tables are designed with a low friction, preloaded, recirculating linear ball bearing system, which rides on a precision ground linear rails. The linear rails are mounted to a precision machined aluminum base, which offers a rigid support over the entire travel of the table's carriage. The load is mounted to a precision machined aluminum carriage, which has threaded stainless steel inserts for high strength and wear life. There are 22 different acme & ball screw options, that offer high efficiencies and long life at an economical price. These tables are designed to allow for numerous options. They include EOT & Home switches, linear & rotary encoders, power-off electric brakes, motor wrap packages and versatile mounting brackets for multiple axis applications.



## Available Options

### Acme Screws & Ball Screws

An assortment of acme screws and ball screws can be installed in the 200 series tables, providing solutions to load back driving, high duty cycle, high speed, extreme smoothness, and sensitive positioning applications.

### Vertical Angle Brackets

Optional vertical angle brackets can be mounted directly to the top of various *LINTECH* positioning tables, thus providing for easy multiple axis configurations.

### Waycovers

For operator protection, these tables can be fitted with a protective bellows. The entire length of the lead screw and linear bearing system will be covered.

### End of Travel and Home Switches

The 200 series tables can be provided with end of travel (EOT) and home switches mounted and wired for each axis. Most position controllers can utilize the EOT switches to stop carriage motion when the extreme table travel has been reached in either direction. The home switch provides a known mechanical location on the table.

### Linear and Rotary Encoders

Incremental encoders can be mounted to the table in order to provide positional data back to either a motion controller, or a digital display.

### Motor Adapter Brackets

NEMA 23, NEMA 34, or any metric mount motor can be mounted to a 200 series positioning table with the use of adapter brackets.

### Turcite Nut With Rolled Ball Screw

This solid polymer nut has no rolling elements in it, and performs very similar to an acme nut. It can provide smoother motion & less audible noise than most ball nuts, and is ideal for corrosive & vertical applications.

### Other

The 200 series tables can accommodate **chrome plated linear bearings, rails, & screws** for corrosive environment applications, **power-off electric brakes** for load locking applications, **motor wrap packages** for space limited applications, and a **hand crank** for manually operated applications.

### Standard Features - 200 Series

- ❑ Compact 8.500 inches (216 mm) wide by 3.750 inches (95 mm) tall
- ❑ Travel lengths from 6 inches (150 mm) to 55 inches (1395 mm)
- ❑ Threaded stainless steel inserts in carriage for load mounting
- ❑ 0° F to +185° F (-18° C to +85° C) operating temperature
- ❑ 2 rail, 2 & 4 bearing, 6 & 12 inch long carriages
- ❑ Recirculating linear ball bearing system
- ❑ Precision ground square rail design

### 200-WC0 Series



### 200-WC1 Series



### Options - 200 Series

- ❑ Chrome plated linear bearings, rails and screws
- ❑ End of travel (EOT) and home switches wired
- ❑ CAD drawings available via the internet
- ❑ Adapter brackets for non-NEMA motors
- ❑ Linear and rotary incremental encoders
- ❑ NEMA 23 & 34 motor wrap packages
- ❑ NEMA 34 adapter bracket
- ❑ Power-off electric brakes
- ❑ Vertical angle bracket
- ❑ Turcite nut option
- ❑ Motor couplings
- ❑ Hand crank
- ❑ Ball screws:

#### Rolled - Non-preloaded & Preloaded Nuts:

- 0.750 inch diameter, 0.200 inch lead
- 0.750 inch diameter, 0.500 inch lead

#### Precision - Non-preloaded & Preloaded Nuts:

- 0.750 inch diameter, 0.200 inch lead
- 20 mm diameter, 5 mm lead
- 20 mm diameter, 20 mm lead

#### Ground - Preloaded Nuts Only:

- 0.750 inch diameter, 0.200 inch lead
- 20 mm diameter, 5 mm lead
- 20 mm diameter, 20 mm lead

- ❑ Acme screws:

#### Rolled - Non-preloaded & Preloaded Nuts:

- 0.750 inch diameter, 0.100 inch lead
- 0.750 inch diameter, 0.200 inch lead

**20** **06** **06** - **WC1** - **1** - **S013** - **M02** - **C165** - **L01** - **E00** - **B00**

**Table Series**

**Carriage Length**

**06** - 6 inches      **12** - 12 inches

**Travel Length** (see pages H-6 & H-8)

**06** - 6 to 55 inches

**Waycovers**

**WC0** - with no waycovers    **WC1** - with waycovers

**Carriage Inserts** (see pages H-7 & H-9)

**1** - English mount      **2** - Metric mount

**Screw Options** (see pages H-18 to H-21)

*Rolled ball screws*

**S013** - .750 x .200 NPL  
**S014** - .750 x .200 PL  
**S015** - .750 x .200 NPL(T)  
**S016** - .750 x .200 PL(T)  
**S017** - .750 x .500 NPL  
**S018** - .750 x .500 PL  
**S019** - .750 x .500 NPL(T)  
**S020** - .750 x .500 PL(T)

*Precision ball screws*

**S122** - .750 x .200 NPL  
**S123** - .750 x .200 PL  
**S124** - 20 x 5 NPL  
**S125** - 20 x 5 PL  
**S128** - 20 x 20 NPL  
**S129** - 20 x 20 PL

*Ground ball screws*

**S216** - .750 x .200 PL  
**S217** - .750 x .500 PL  
**S221** - 20 x 5 PL  
**S222** - 20 x 20 PL

*Rolled acme screws*

**S306** - .750 x .100 NPL  
**S307** - .750 x .100 PL  
**S308** - .750 x .200 NPL  
**S309** - .750 x .200 PL

**S999** - other

**Motor Mount** (see pages H-7 & H-9, H-24 to H-25)

**M00** - none

**M01** - hand crank

**M99** - other

**M02** - NEMA 23 mount (E)

**M03** - NEMA 23 mount (M)

**M04** - NEMA 34 mount (E)

**M05** - NEMA 34 mount (M)

**M08** - NEMA 34 (RH) wrap

**M09** - NEMA 34 (LH) wrap

**M10** - NEMA 42 mount (E)

**M11** - NEMA 42 mount (M)

**M12** - NEMA 42 (RH) wrap

**M13** - NEMA 42 (LH) wrap

**Coupling Options** (see pages H-22 to H-23)

**C000** - none

**C999** - other

**C056 to C063** - C125

**C084 to C090** - C150

**C165 to C174** - H131

**C201 to C211** - H163

**C445 to C454** - G126

**C481 to C491** - G158

**Limit & Home Switches** (see pages H-15 to H-17)

**L00** - no switches

**L99** - other

EOT & home switches

EOT switches only

home switch only

Mechanical

**L01**

**L02**

**L03**

Reed

**L04**

**L05**

**L06**

Hall

**L07**

**L08**

**L09**

Prox (NPN)

**L10**

**L11**

**L12**

Prox (PNP)

**L13**

**L14**

**L15**

**Encoder Options** (see page H-27)

**E00** - none

**E01** - rotary (500 lines/rev)

**E02** - rotary (1000 lines/rev)

**E03** - rotary (1270 lines/rev)

**E10** - linear (2500 lines/inch)

**E11** - linear (125 lines/mm)

**E99** - other

**Power-off Brakes** (see page H-26)

**B00** - none

**B03** - 24 VDC

**B04** - 90 VDC

**B99** - other

(E) - English Interface

(LH) - Left Hand

(M) - Metric Interface

(NPL) - Non Preloaded

(PL) - Preloaded

(RH) - Right Hand

(T) - Turcite Nut

## Specifications

Load Capacities		6 inch (2 bearing) Carriage		12 inch (4 bearing) Carriage	
<b>Dynamic Horizontal</b>	2 million inches (50 km) of travel	4,400 lbs	( 1996 kg)	8,800 lbs	( 3992 kg)
<b>Dynamic Horizontal</b>	100 million inches (2540 km) of travel	1,180 lbs	( 535 kg)	2,360 lbs	( 1070 kg)
<b>Static Horizontal</b>		7,600 lbs	( 3447 kg)	15,200 lbs	( 6895 kg)
<b>Dynamic Roll Moment</b>	2 million inches (50 km) of travel	790 ft-lbs	( 1071 N-m)	1,580 ft-lbs	( 2142 N-m)
<b>Dynamic Roll Moment</b>	100 million inches (2540 km) of travel	210 ft-lbs	( 285 N-m)	425 ft-lbs	( 576 N-m)
<b>Static Roll Moment</b>		1,365 ft-lbs	( 1851 N-m)	2,730 ft-lbs	( 3701 N-m)
<b>Dyn. Pitch &amp; Yaw Moment</b>	2 million inches (50 km) of travel	175 ft-lbs	( 237 N-m)	2,485 ft-lbs	( 3369 N-m)
<b>Dyn. Pitch &amp; Yaw Moment</b>	100 million inches (2540 km) of travel	47 ft-lbs	( 64 N-m)	670 ft-lbs	( 908 N-m)
<b>Static Pitch &amp; Yaw Moment</b>		300 ft-lbs	( 407 N-m)	4,300 ft-lbs	( 5830 N-m)
<b>Each Bearing Dyn. Capacity</b>	2 million inches (50 km) of travel	2,200 lbs	( 998 kg)	2,200 lbs	( 998 kg)
<b>Each Bearing Dyn. Capacity</b>	100 million inches (2540 km) of travel	590 lbs	( 265 kg)	590 lbs	( 265 kg)
<b>Each Bearing Static Load Capacity</b>		3,800 lbs	( 1724 kg)	3,800 lbs	( 1724 kg)
<b>Thrust Force Capacity</b>	10 million screw revolutions	1,050 lbs	( 476 kg)	1,050 lbs	( 476 kg)
<b>Thrust Force Capacity</b>	500 million screw revolutions	270 lbs	( 122 kg)	270 lbs	( 122 kg)
<b>Maximum Acceleration</b>		386 in/sec <sup>2</sup>	( 9,8 m/sec <sup>2</sup> )	772 in/sec <sup>2</sup>	( 19,6 m/sec <sup>2</sup> )
<b>d<sub>1</sub></b>	Center to center distance (spread) between the two rails	5.280 in	(134,1 mm)	5.280 in	(134,1 mm)
<b>d<sub>2</sub></b>	Center to center distance (spacing) of the bearings on a single rail		-	7.870 in	(199,9 mm)
<b>d<sub>r</sub></b>	Center distance of the bearing to top of carriage plate surface	1.900 in	( 48,3 mm)	1.900 in	( 48,3 mm)

Other	For 6 inch (2 bearing) & 12 inch (4 bearing) Carriages
<b>Table Material</b>	Base, Carriage, End Plates, & Cover Plate option - 6061 anodized aluminum
<b>Linear Rail Material</b>	Case Hardened Steel
<b>Screw Material</b> (see pages H-18 to H-21)	Acme Screw - Stainless Steel
<b>Screw Material</b> (see pages H-18 to H-21)	Rolled Ball, Precision Ball, & Ground Ball - Case Hardened Steel
<b>Straightness</b>	< 0.00004 in/in (< 1,02 microns/25mm)
<b>Flatness</b>	< 0.00004 in/in (< 1,02 microns/25mm)
<b>Orthogonality</b> (multi-axis systems)	< 15 arc-seconds
<b>Friction Coefficient</b>	< 0.01
<b>Motor Mount</b>	NEMA 23 & 34 Mounts, Metric Mounts, Motor Wraps, and Hand Crank Option
<b>Coupling</b>	Three (3) different styles available
<b>Waycover Material</b>	Hypilon Polyester Bellows firmly mounted to carriage & end plates

## Dimensions & Specifications

- Without Waycovers -

Model Number	Travel Length inches (mm)	Table Dimensions inches (mm)		Mounting Dimensions inches (mm)			Screw Length inches (mm)	Table <sup>(1)</sup> Weight lbs (kg)
		A	B	C	D	M		
<b>200607-WC0</b>	7 (175)	14.75 (374,6)	17.25 (438,1)	2.120 (53,8)	3	8	16.37 (416)	38.3 (17,4)
<b>200614-WC0</b>	14 (355)	21.62 (549,1)	24.12 (612,6)	2.060 (52,3)	5	12	23.24 (590)	47.4 (21,5)
<b>200621-WC0</b>	21 (530)	28.50 (723,9)	31.00 (787,4)	2.000 (50,8)	7	16	30.12 (765)	56.5 (25,6)
<b>200628-WC0</b>	28 (710)	35.25 (895,3)	37.75 (958,8)	1.870 (47,5)	9	20	36.87 (936)	65.6 (29,8)
<b>200635-WC0</b>	35 (885)	42.25 (1073,1)	44.75 (1136,6)	1.870 (47,5)	11	24	43.87 (1114)	74.7 (33,9)
<b>200641-WC0</b>	41 (1040)	49.00 (1244,6)	51.50 (1308,1)	1.750 (44,4)	13	28	50.62 (1286)	83.8 (38,0)
<b>200655-WC0</b>	55 (1395)	62.75 (1593,8)	65.25 (1657,3)	1.620 (41,1)	17	36	64.37 (1635)	100.0 (45,4)
<b>201207-WC0</b>	7 (175)	20.75 (527,0)	23.25 (590,5)	1.620 (41,1)	5	12	22.37 (568)	54.3 (24,6)
<b>201214-WC0</b>	14 (355)	27.62 (701,5)	30.12 (765,0)	1.560 (39,6)	7	16	29.24 (743)	63.4 (28,8)
<b>201221-WC0</b>	21 (530)	34.50 (876,3)	37.00 (939,8)	1.500 (38,1)	9	20	36.12 (917)	72.5 (32,9)
<b>201228-WC0</b>	28 (710)	41.25 (1047,7)	43.75 (1111,2)	1.370 (34,8)	11	24	42.87 (1089)	81.6 (37,0)
<b>201235-WC0</b>	35 (885)	48.25 (1225,5)	50.75 (1289,0)	1.370 (34,8)	13	28	49.87 (1267)	90.7 (41,1)
<b>201241-WC0</b>	41 (1040)	55.00 (1397,0)	57.50 (1460,5)	1.250 (31,7)	15	32	56.62 (1438)	99.8 (45,3)
<b>201255-WC0</b>	55 (1395)	68.75 (1746,2)	71.25 (1809,7)	1.120 (28,4)	19	40	70.37 (1787)	117.0 (53,1)

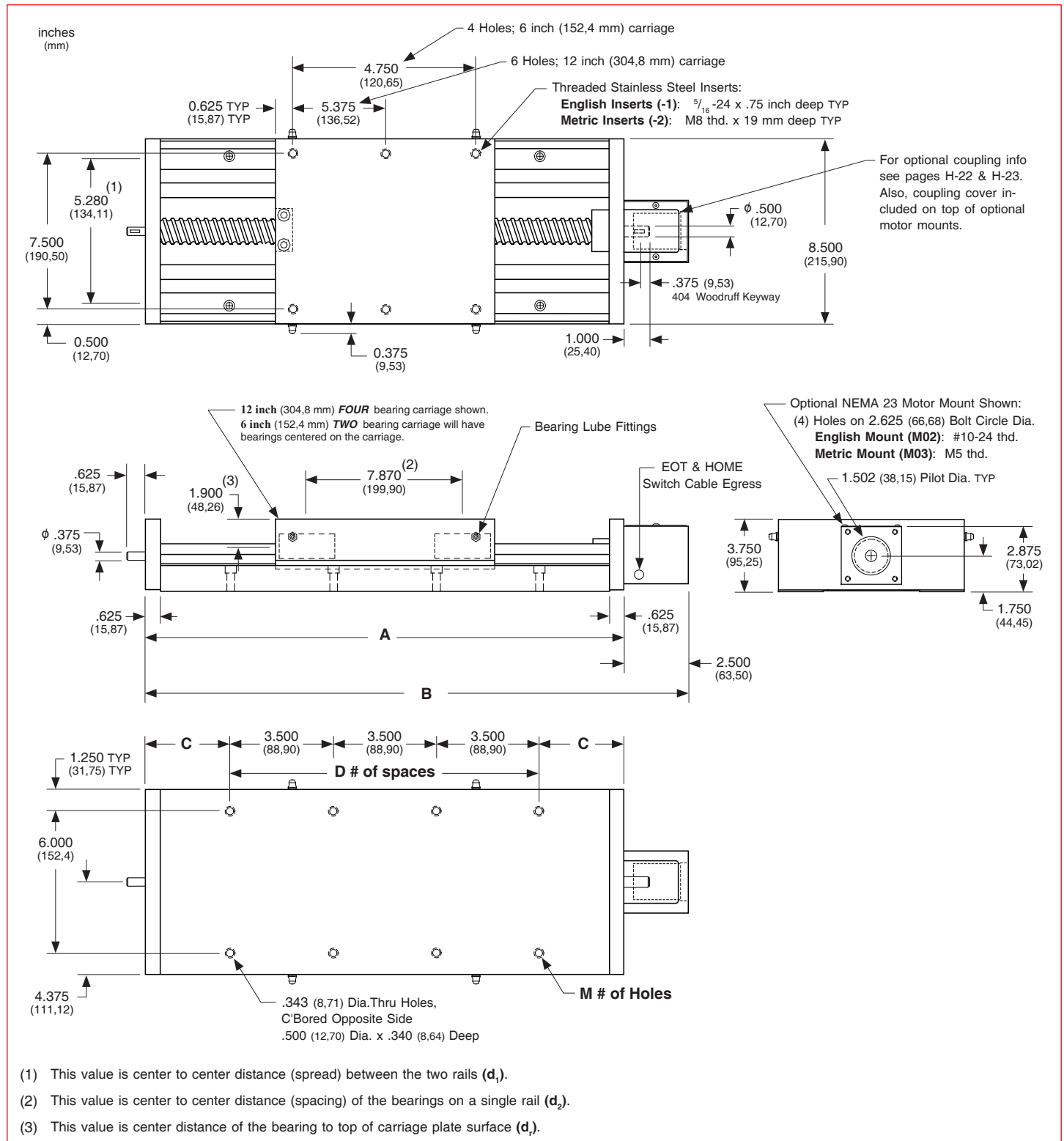
- └ 06 = 6 inch (152,4 mm) carriage length; 2 bearings; carriage weight = 11.0 lbs. (4,99 kg)
- └ 12 = 12 inch (304,8 mm) carriage length; 4 bearings; carriage weight = 19.0 lbs. (8,62 kg)

### Footnotes:

(1) Weight shown is with a 0.750 inch (20 mm) diameter screw, a NEMA 23 motor mount [0.34 lbs (0,16 kg)], and a C125 style [0.22 lbs (0,10 kg)] coupling.

## Dimensions

### - Without Waycovers -



**Note:** Any 200 series table can be mounted on top of any second 200 series, in order to create X-Y multiple axis configurations. The carriage's threaded stainless steel insert hole pattern DOES NOT exactly match the base mounting hole pattern on each table, therefore machining of the bottom axis carriage plate is required. Contact *LINTECH*.



## Dimensions & Specifications

- With Waycovers -

Model Number	Travel Length inches (mm)	Table Dimensions inches (mm)		Mounting Dimensions inches (mm)			Screw Length inches (mm)	Table <sup>(1)</sup> Weight lbs (kg)
		A	B	C	D	M		
<b>200606-WC1</b>	6 (150)	14.75 (374,6)	17.25 (438,1)	2.120 (53,8)	3	8	16.37 (416)	40.0 (18,1)
<b>200612-WC1</b>	12 (300)	21.62 (549,1)	24.12 (612,6)	2.060 (52,3)	5	12	23.24 (590)	50.0 (22,7)
<b>200618-WC1</b>	18 (455)	28.50 (723,9)	31.00 (787,4)	2.000 (50,8)	7	16	30.12 (765)	60.0 (27,2)
<b>200624-WC1</b>	24 (605)	35.25 (895,3)	37.75 (958,8)	1.870 (47,5)	9	20	36.87 (936)	70.0 (31,8)
<b>200630-WC1</b>	30 (760)	42.25 (1073,1)	44.75 (1136,6)	1.870 (47,5)	11	24	43.87 (1114)	80.0 (36,3)
<b>200636-WC1</b>	36 (910)	49.00 (1244,6)	51.50 (1308,1)	1.750 (44,4)	13	28	50.62 (1286)	90.0 (40,8)
<b>200648-WC1</b>	48 (1215)	62.75 (1593,8)	65.25 (1657,3)	1.620 (41,1)	17	36	64.37 (1635)	108.0 (49,0)
<b>201206-WC1</b>	6 (150)	20.75 (527,0)	23.25 (590,5)	1.620 (41,1)	5	12	22.37 (568)	56.0 (25,4)
<b>201212-WC1</b>	12 (300)	27.62 (701,5)	30.12 (765,0)	1.560 (39,6)	7	16	29.24 (743)	66.0 (29,9)
<b>201218-WC1</b>	18 (455)	34.50 (876,3)	37.00 (939,8)	1.500 (38,1)	9	20	36.12 (917)	76.0 (34,5)
<b>201224-WC1</b>	24 (605)	41.25 (1047,7)	43.75 (1111,2)	1.370 (34,8)	11	24	42.87 (1089)	86.0 (39,0)
<b>201230-WC1</b>	30 (760)	48.25 (1225,5)	50.75 (1289,0)	1.370 (34,8)	13	28	49.87 (1267)	96.0 (43,6)
<b>201236-WC1</b>	36 (910)	55.00 (1397,0)	57.50 (1460,5)	1.250 (31,7)	15	32	56.62 (1438)	106.0 (48,1)
<b>201248-WC1</b>	48 (1215)	68.75 (1746,2)	71.25 (1809,7)	1.120 (28,4)	19	40	70.37 (1787)	125.0 (56,7)

- └ 06 = 6 inch (152,4 mm) carriage length; 2 bearings; carriage weight = 11.0 lbs. (4,99 kg)
- └ 12 = 12 inch (304,8 mm) carriage length; 4 bearings; carriage weight = 19.0 lbs. (8,62 kg)

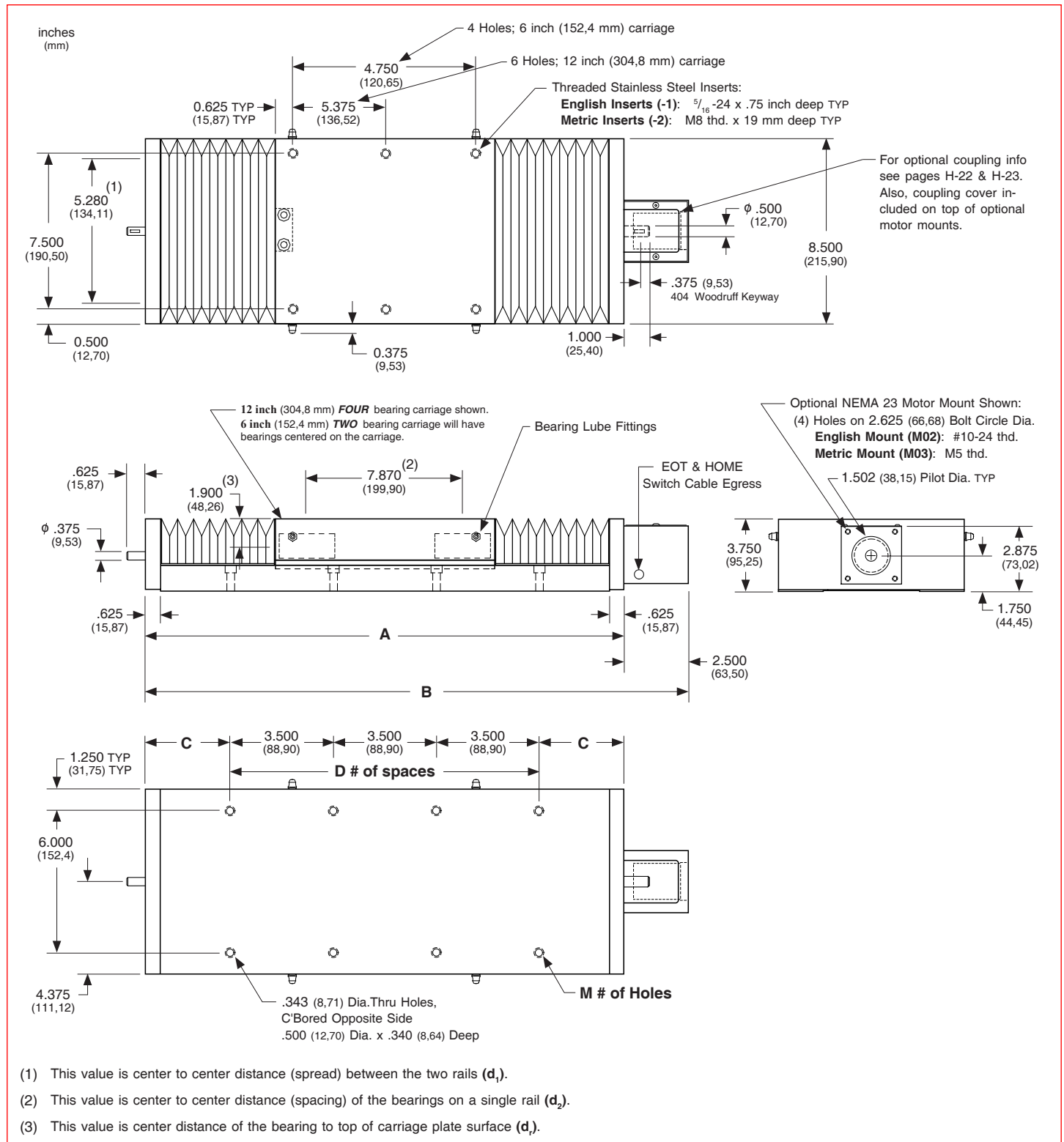
### Footnotes:

(1) Weight shown is with a 0.750 inch (20 mm) diameter screw, a NEMA 23 motor mount [0.34 lbs (0,16 kg)], and a C125 style [0.22 lbs (0,10 kg)] coupling.



Dimensions

- With Waycovers -



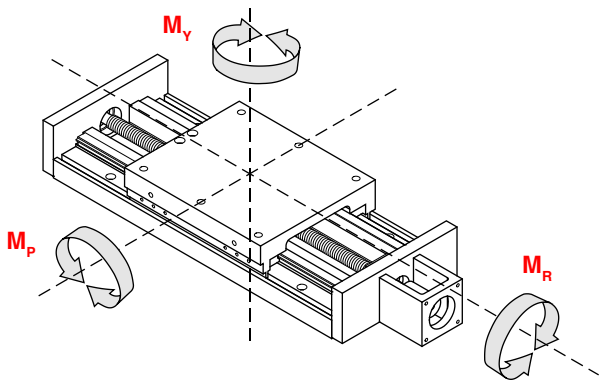
**Note:** Any 200 series table can be mounted on top of any second 200 series, in order to create X-Y multiple axis configurations. The carriage's threaded stainless steel insert hole pattern DOES NOT exactly match the base mounting hole pattern on each table, therefore machining of the bottom axis carriage plate is required. Contact *LINTECH*.

Linear Bearing Load Capacities

The following equation, and graphs, can be used to help determine the linear bearing life, and load capacity, of a 200 series positioning table.

$$L = \left[ \frac{R}{F \times S} \right]^3 \times B$$

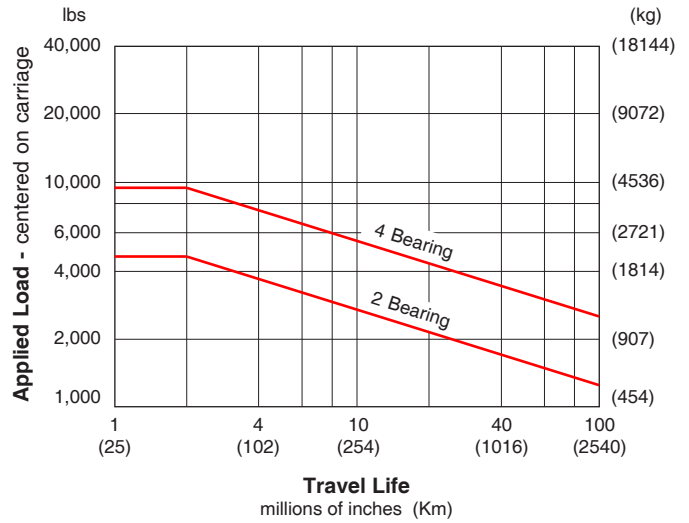
- L** = calculated travel life (millions of inches or Km)
- R** = rated dynamic load capacity of carriage (or each bearing) at 2 million inches of travel or 50 Km
- F** = user applied load
- S** = safety factor (1 to 8)
- B** = either 2 (for millions of inches) or 50 (for Km)



Dynamic Horizontal Load Capacity

Load Centered on Carriage

travel life		2 Bearing		4 Bearing	
millions of inches	(Km)	lbs	(kg)	lbs	(kg)
2	( 50)	4,400	(1996)	8,800	(3992)
50	(1270)	1,500	(680)	3,000	(1360)
100	(2540)	1,180	(535)	2,360	(1070)

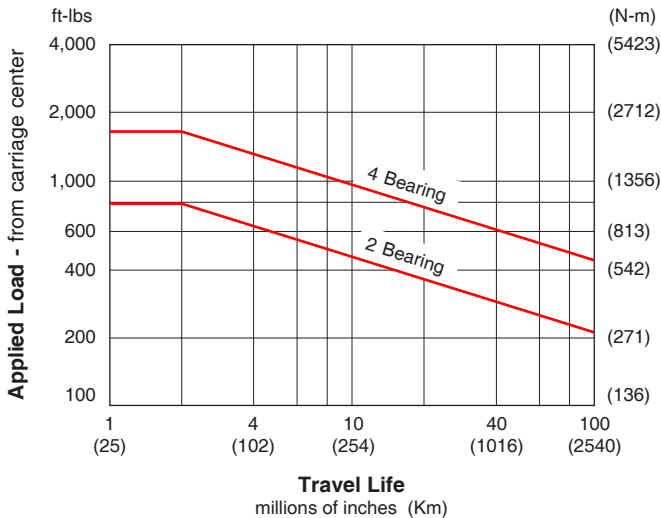


Dynamic Moment Load ( $M_R$ ) Capacity

Load applied away from Carriage Center

travel life		2 Bearing		4 Bearing	
millions of inches	(Km)	ft-lbs	(N-m)	ft-lbs	(N-m)
2	( 50)	790	(1071)	1,580	(2142)
50	(1270)	270	(366)	540	(732)
100	(2540)	210	(285)	425	(576)

Ratings are based on  $d_3 = 12$  inches (305 mm) &  $d_4 = 0$

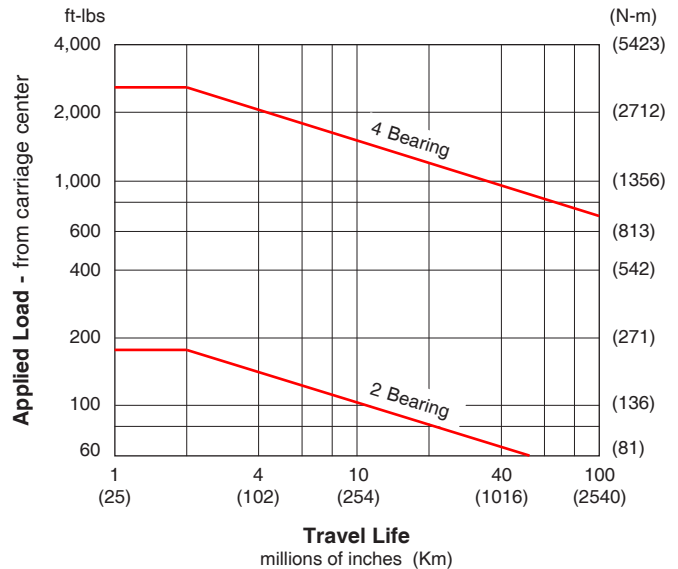


Dynamic Moment Load ( $M_P$  &  $M_Y$ ) Capacity

Load applied away from Carriage Center

travel life		2 Bearing		4 Bearing	
millions of inches	(Km)	ft-lbs	(N-m)	ft-lbs	(N-m)
2	( 50)	175	(237)	2,485	(3369)
50	(1270)	58	(79)	845	(1146)
100	(2540)	47	(64)	670	(908)

Ratings are based on  $d_3 = 0$  &  $d_4 = 12$  inches (305 mm)



Specifications subject to change without notice

Screw Travel Life

The life of an acme or ball screw can be estimated by evaluating the load applied to the nut. The applied load "as seen by the screw nut" depends upon the table orientation. Typically, the extra force acting upon the screw nut during the acceleration interval is offset by a reduction in force during the deceleration interval. Therefore, evaluating the life of the screw nut at a constant speed is adequate. The life of the screw nut may not be the limiting element for a given application. See page H-12 for load/life capacity of the screw end support bearings.

Horizontal Application

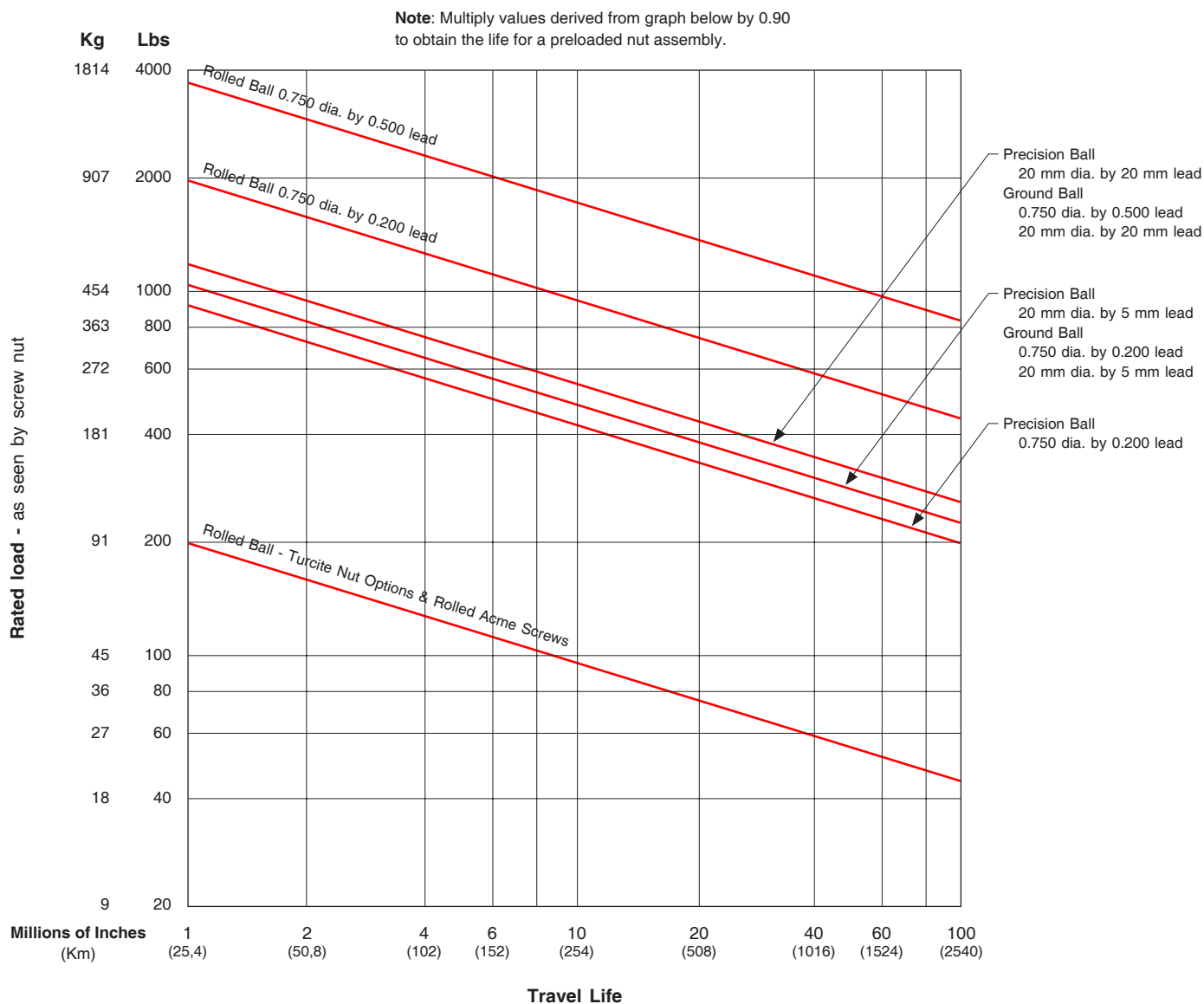
$$F = (W \times \mu) + E$$

Vertical Application

$$F = W + E$$

$$L = \left[ \frac{R}{F \times S} \right]^3 \times B$$

- B** = either 1 (for millions of inches) or 25 (for Km)
- E** = externally applied extra forces
- F** = applied axial load (as seen by screw nut)
- L** = calculated travel life (millions of inches or Km)
- R** = rated dynamic load capacity of screw nut at 1 million inches of travel or 25 Km (see pages H-20 & H-21)
- S** = safety factor (1 to 8)
- W** = user mounted load weight to carriage
- μ** = coefficient of friction for linear bearing system (0.01)



Specifications subject to change without notice

**Thrust Capacity (axial load)**

The life of the screw end support bearings can be estimated by evaluating the applied axial (thrust) load. The applied load "as seen by the bearings" depends upon the table orientation. Typically, the extra force acting upon the bearings during the acceleration interval is offset by a reduction in force during the deceleration interval. Therefore, evaluating the life of the bearings at a constant speed is adequate. The life of the screw end support bearings may not be the limiting element for a given application. See page H-11 for load/life capacity of acme and ball screw nuts.

$$L = \left[ \frac{R}{F \times S} \right]^3 \times B$$

- B** = 2 (for millions of revolutions)
- E** = externally applied extra forces
- F** = applied axial load (*as seen by the bearings*)
- L** = calculated life (millions of revolutions)
- R** = dynamic load capacity of bearings at 2 million screw revolutions (see below)
- S** = safety factor (1 to 8)
- W** = user mounted load weight to carriage
- μ** = coefficient of friction for linear bearing system (0.01)

Horizontal Application

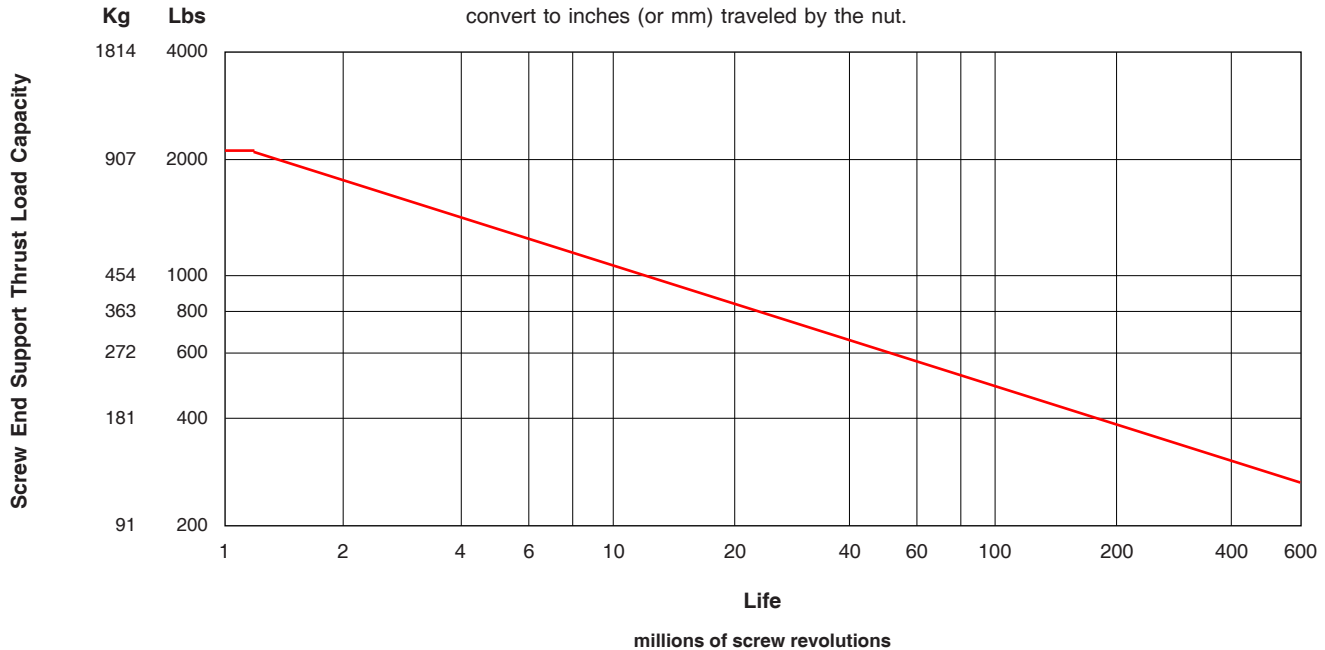
$$F = (W \times \mu) + E$$

Vertical Application

$$F = W + E$$

Screw End Supports		Number of Screw Revolutions						
		millions of screw revolutions						
		Static	1	2	10	50	100	500
Thrust Capacity	lbs (kg)	2,110 (957)	2,110 (957)	1,720 (780)	1,050 (476)	585 (265)	465 (211)	270 (122)

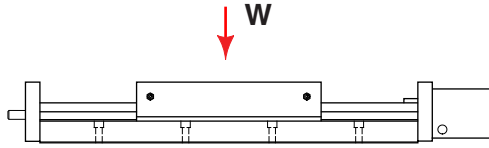
Note: Multiply screw revolutions by the screw lead in order to convert to inches (or mm) traveled by the nut.



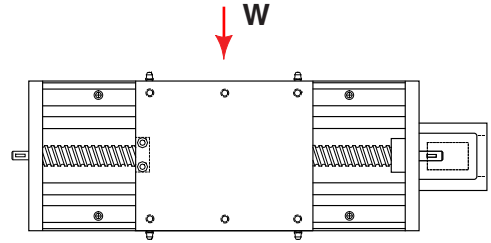
Moment of Inertia Values

The "moment of inertia" of an object is a gauge of the strength of that object to resist deflecting when used in an application or orientation where deflection might occur. The higher an I value relates to a lower amount of deflection.

$I = 2.08 \text{ in}^4 \text{ (} 8.66 \times 10^5 \text{ mm}^4\text{)}$

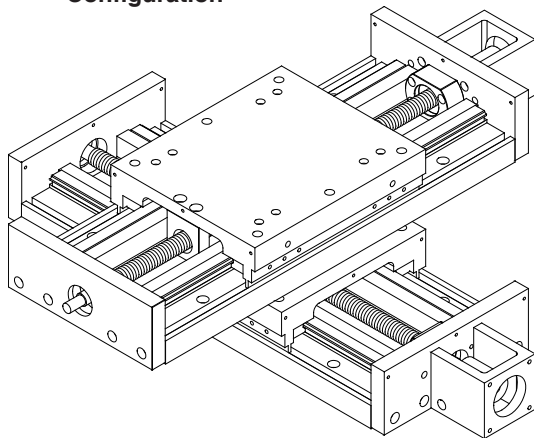
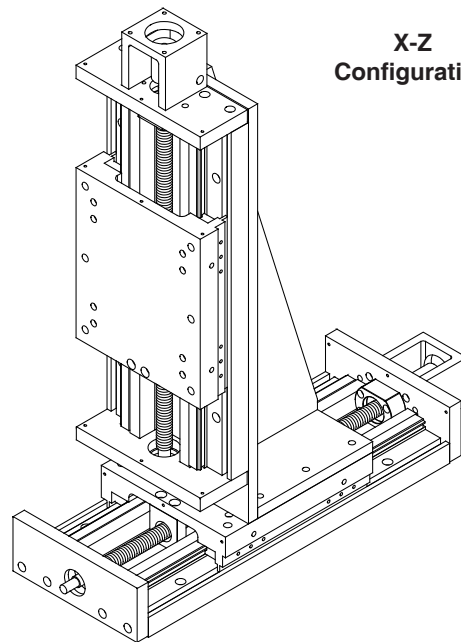
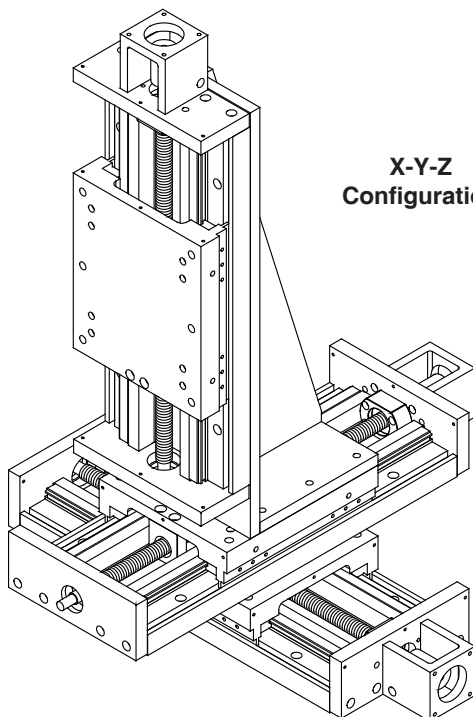


$I = 63.1 \text{ in}^4 \text{ (} 262.7 \times 10^5 \text{ mm}^4\text{)}$



## Multi-Axis Configurations

*LINTECH* can provide various adapter plates, and vertical adapter brackets, to facilitate the construction of X-Y, X-Z, and X-Y-Z multiple axis configurations. There are literally hundreds of different possible configurations available. See below for some of the more common systems. *LINTECH* has a great deal of experience in dealing with multiple axis configurations. Sometimes different standard table series can be mounted together to form a custom system. Other times, a complete custom assembly is created, due to the application details. Contact *LINTECH* for more information.

X-Y  
ConfigurationX-Z  
ConfigurationX-Y-Z  
Configuration

## End of Travel (EOT) Switches & Home Switch

*LINTECH* provides several options for EOT & home switches. One style uses mechanically actuated switches, while other styles use "non-contact" versions. When ordered with a *LINTECH* 200 series table, each switch is mounted to the base of the table, while the actuating cams are mounted to the carriage assembly. Each switch is mounted to a plate that allows for a 0.625 inch (16 mm) adjustment range. The switches are pre-wired by *LINTECH* for easy interfacing to the users Motion Controller.

### End of Travel (EOT) Switches

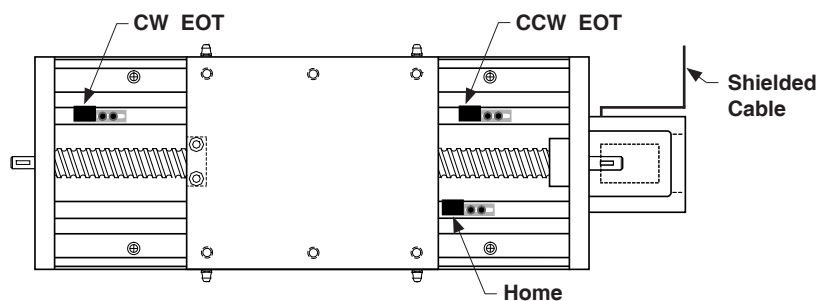
End of travel (EOT) switches can be utilized by a motion controller to stop carriage motion, thereby preventing any damage to personnel, table carriage, or user mounted load if the extreme end of travel has been reached by the carriage. There are two EOT switches mounted to the side of the table, one on each end. The CCW switch is mounted at the motor mount end, while the CW switch is located at the opposite end of the table. *LINTECH* provides normally closed (NC) end of travel switches. This provides for a power-off fail safe system, where the position controller can detect broken wires. *It is highly recommended that any positioning table used with a position controller, should have end of travel switches installed for protection of personnel, table carriage, and user mounted load.*

### Home Switch

The home switch can be utilized by a motion controller as a known fixed mechanical location on the positioning table. The switch is located on the opposite side of the EOT switches, at the motor mount end, and is a normally open (NO) switch.

### Switch Locations

The following diagram shows the locations of the switches when ordered from *LINTECH*.



**Note:** For the 200-WC0 series, EOT switches are normally located 0.125 inches (3 mm) inward from the maximum travel hard stops. Thus, reducing overall system travel by 0.25 inches (6 mm) from listed table travel for each model #. For the 200-WC1 series there is NO reduction of listed travel length when using EOT switches.

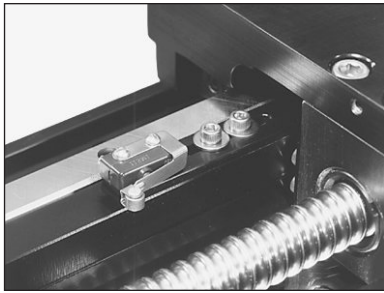
**Note:** Each switch bracket has a 0.625 inch (16 mm) adjustment range

Switch Type	Cost	Repeatability inches (microns)	Actuated	Power Supply Required	Activation Area inches (mm)	Comments
<b>mechanical</b>	least expensive	+/- 0.0002 (5)	mechanical	No	1.75 (44,45)	for most applications
<b>reed</b>	slightly more	+/- 0.0020 (50)	magnetic	No	0.30 (7,62)	for non-contact & low repeatable applications
<b>hall effect</b>	medium priced	+/- 0.0002 (5)	magnetic	Yes	0.32 (8,13)	for non-contact and wash down applications
<b>proximity</b>	most expensive	+/- 0.0002 (5)	non-magnetic	Yes	1.75 (44,45)	for non-contact, high speed, & wash down applications

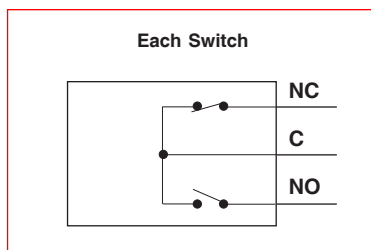
**Note:** The repeatability of any switch is dependent upon several factors: carriage speed, accel rate, load weight, switch style, and the position controller. *LINTECH*'s ratings are based upon a carriage speed of 0.5 inches/sec (12.7 mm/sec) and a no load condition.



## End of Travel (EOT) Switches &amp; Home Switch

**Mechanical Switches**

Repeatability	: +/- 0.0002 inch (5 microns)
Electrical	: 5 amps @ 125 VAC 1 amp @ 85 VDC
Activation Style	: mechanical cam
Activation Area	: 1.75 inches (44,45 mm) of travel
Temperature Range	: - 25° C to + 85° C
Environment	: non wash down
Added Table Width	: none
Individual Switch Wiring	: none

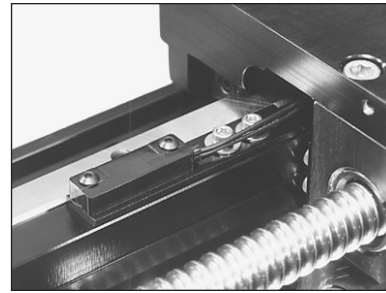


Standard *LINTECH* Wiring : from table end plate,  
(provided when switch option is 10 foot (3 m) shielded cable,  
ordered with any table) 6 conductor, 24 AWG,  
underminated leads

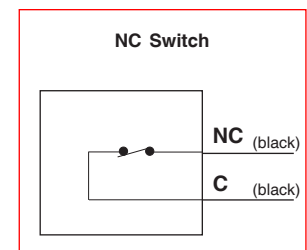
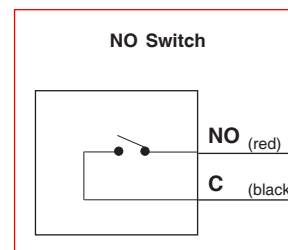
Wire Color	Description	
Black	CW EOT	NC
Blue	CW Common	
Red	CCW EOT	NC
White	CCW Common	
Brown	HOME	NO
Green	HOME Common	
Silver	Shield	

**Note:** Hermetically sealed mechanical switches can be ordered as an option. This may be desired for "wash down" applications. Contact *LINTECH*.

Specifications subject to change without notice

**Non-Contact Reed Switches**

Repeatability	: +/- 0.0020 inch (50 microns)
Electrical	: 1.0 amps @ 125 VAC 0.5 amps @ 100 VDC
Activation Style	: magnetic
Activation Area	: 0.30 inches (7,62 mm) of travel
Temperature Range	: - 10° C to + 60° C
Environment	: non wash down
Added Table Width	: none
Individual Switch Wiring	: 12 inch (305 mm) leads



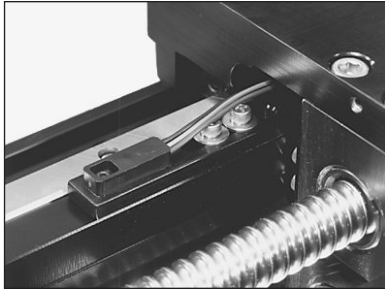
Standard *LINTECH* Wiring : from table end plate,  
(provided when switch option is 10 foot (3 m) shielded cable,  
ordered with any table) 6 conductor, 24 AWG,  
underminated leads

Wire Color	Description	
Black	CW EOT (black)	NC
Blue	CW Common (black)	
Red	CCW EOT (black)	NC
White	CCW Common (black)	
Brown	HOME (red)	NO
Green	HOME Common (black)	
Silver	Shield	

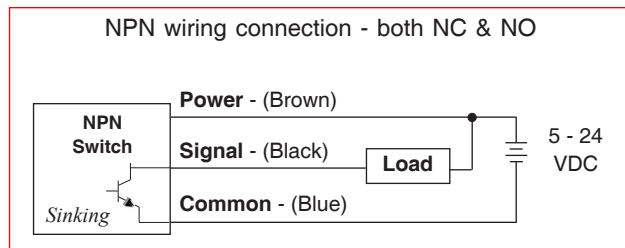
CW - Clockwise  
CCW - Counter Clockwise  
EOT - End of Travel  
NC - Normally Closed  
NO - Normally Open

## End of Travel (EOT) Switches &amp; Home Switch

## Non-Contact Hall Effect Switches



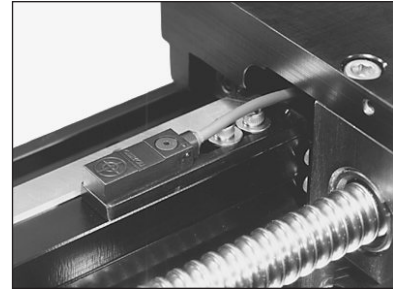
Repeatability	: +/- 0.0002 inch (5 microns)
Electrical	: 5 - 24 VDC 15 mA - power input 25 mA max - signal
Actuation Style	: magnetic
Activation Area	: 0.32 inches (8,13 mm) of travel
Temperature Range	: - 10° C to + 60° C
Environment	: wash down
Added Table Width	: none
Individual Switch Wiring	: 12 inch (305 mm) leads



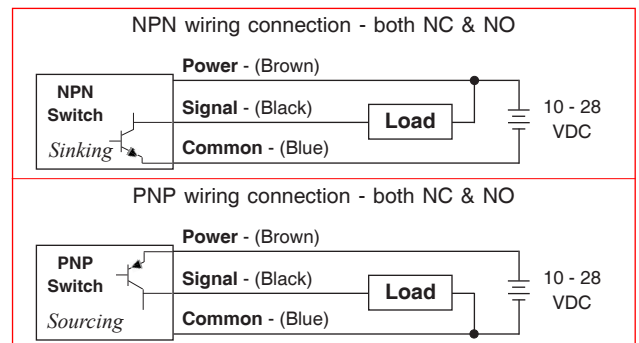
Standard *LINTECH* Wiring : from table end plate,  
(provided when switch option is ordered with any table)  
10 foot (3 m) shielded cable;  
9 conductor, 24 AWG,  
unterminated leads

Wire Color	Description		
Brown	CW Power	(brown)	switch NC
Black	CW EOT	(black)	
Blue	CW Common	(blue)	
Red	CCW Power	(brown)	switch NC
White	CCW EOT	(black)	
Green	CCW Common	(blue)	
Orange	Home Power	(brown)	switch NO
Yellow	Home	(black)	
Grey	Home Common	(blue)	
Silver	Shield		

## Non-Contact Proximity Switches



Repeatability	: +/- 0.0002 inch (5 microns)
Electrical	: 10 - 28 VDC 15 mA - power input 100 mA max - signal
Actuation Style	: non-magnetic cam
Activation Area	: 1.75 inches (44,45 mm) of travel
Temperature Range	: - 25° C to + 75° C
Environment	: IEC IP67 wash down
Added Table Width	: none
Individual Switch Wiring	: 6.5 foot (2 m) cable for NPN 3.3 foot (1 m) cable for PNP



Standard *LINTECH* Wiring : from table end plate,  
(provided when switch option is ordered with any table)  
10 foot (3 m) shielded cable;  
9 conductor, 24 AWG,  
unterminated leads

Wire Color	Description		
Brown	CW Power	(brown)	switch NC
Black	CW EOT	(black)	
Blue	CW Common	(blue)	
Red	CCW Power	(brown)	switch NC
White	CCW EOT	(black)	
Green	CCW Common	(blue)	
Orange	Home Power	(brown)	switch NO
Yellow	Home	(black)	
Grey	Home Common	(blue)	
Silver	Shield		

## Screws - Acme &amp; Ball

Acme screws use a turcite (polymer), or bronze nut. The nut threads ride in the matching acme screw threads, much like the ordinary nut and bolt system. This produces a higher friction (lower efficiency) system than a ball screw assembly, since there are no rolling elements between the nut and the acme screw threads. For applications requiring low speeds, noise and duty cycles, an acme screw works fine. Also, an acme screw is a good choice for most vertical applications, as it typically prevents back driving of the attached load.

Ball screws are the screw of choice for high duty cycle, high speed, and long life applications. The 200 series tables can be fitted with an assortment of ball screws. The ball screw nut uses one or more circuits of recirculating steel balls which roll between the nut and ball screw grooves, providing an efficient low friction system. Using a higher lead

ball screw (for example a 0.500 inch lead instead of a 0.200 inch lead) will offer greater carriage speed for applications requiring rapid traverse, or fast, short incremental moves. Low wear and long life are key features of a ball screw system.

LINTECH provides three different ball screw configurations. The rolled ball screw system utilizes a tapped nut with a standard accuracy grade rolled screw. The precision ball screw system utilizes a ground nut with a higher accuracy grade rolled screw. The ground ball screw system utilizes a ground nut with a high accuracy precision ground screw.

Some screws are available with preloaded nuts. The preloaded nut assembly offers high *bidirectional* repeatability by eliminating backlash.

Consideration	Acme Screw	Ball Screws			Comments
		Rolled	Precision	Ground	
<b>Audible noise</b>	least audible noise	most audible noise	less audible noise than rolled screw	less audible noise than precision screw	<b>Acme:</b> no rolling elements provide for quiet operation. <b>Ball:</b> recirculating balls in nut assembly transmit audible noise during motion; due to more accurate machining procedures - precision & ground ball screws are quieter than rolled ball screws.
<b>Back Driving Loads</b>	may prevent back driving	can easily back drive a load	can easily back drive a load	can easily back drive a load	<b>Acme:</b> good for light loads & vertical applications. <b>Ball:</b> recirculating balls in nut assembly produce a low friction system; vertical applications may require a brake to hold the load when no power is applied to the motor.
<b>Backlash non-preloaded nut</b>	will increase with wear	constant	constant	constant	<b>Acme:</b> preloaded nut assembly eliminates backlash. <b>Ball:</b> preloaded nut assembly eliminates backlash.
<b>Duty Cycle</b>	low to medium (< 50 %)	high (100 %)	high (100 %)	high (100 %)	<b>Acme:</b> low duty cycle due to high sliding friction. <b>Ball:</b> high duty cycle due to recirculating balls in nut assembly; high efficiency & low friction system.
<b>Life</b>	shorter due to higher friction	long	long	long	<b>Acme:</b> mechanical wear related to duty cycle, load & speed. <b>Ball:</b> minimal wear if operated in proper environment, within load specifications, and periodically lubricated.
<b>Relative - Cost</b>	slightly more than rolled ball	least expensive	slightly more than rolled ball	most expensive	<b>Acme:</b> a little more expensive than the rolled ball screw. <b>Ball:</b> due to more accurate manufacturing procedures precision rolled & ground ball screws are more expensive.
<b>Screw Efficiency</b>	low 40 % -Acme 60 % -Turcite	high (90 %)	high (90 %)	high (90 %)	<b>Acme:</b> low efficiency due to high sliding friction. <b>Ball:</b> high efficiency due to recirculating balls in nut assembly - low friction system.
<b>Smoothness</b>	can be smooth	least smooth	medium smoothness	smoothest	<b>Acme:</b> due to friction can start/stop at very low speeds. <b>Ball:</b> smoothness is constant through a wide speed range; due to more accurate manufacturing procedures precision rolled & ground ball screws are smoother than rolled ball screws.
<b>Speeds</b>	low	high	high	high	<b>Acme:</b> high friction can causes excess heat & wear at high speeds. <b>Ball:</b> recirculating balls in nut provide for a high speed system due to low friction & high efficiency.

## Screws - Acme &amp; Ball

200-WC0 series		200-WC1 series		Maximum Safe Table Operating Speed <sup>(1)</sup> in/sec (mm/sec)				
Model Number	Travel Length in (mm)	Model Number	Travel Length in (mm)	Screw				
				0.750 dia. 0.100 lead	0.750 dia. 0.200 lead	0.750 dia. 0.500 lead	20 mm dia. 5 mm lead	20 mm dia. 20 mm lead
200607	7 (175)	200606	6 (150)	5.0 (127)	10.0 (254)	25.0 (635)	9.8 (249)	39.3 (998)
200614	14 (355)	200612	12 (300)	5.0 (127)	10.0 (254)	25.0 (635)	9.8 (249)	39.3 (998)
200621	21 (530)	200618	18 (455)	5.0 (127)	10.0 (254)	25.0 (635)	9.8 (249)	39.3 (998)
200628	28 (710)	200624	24 (605)	3.6 (91)	7.1 (180)	17.9 (455)	7.1 (180)	28.2 (716)
200635	35 (885)	200630	30 (760)	2.5 (63)	5.0 (127)	12.4 (315)	4.9 (124)	19.7 (500)
200641	41 (1040)	200636	36 (910)	1.8 (46)	3.7 (94)	9.2 (234)	3.6 (91)	14.6 (371)
200655	55 (1395)	200648	48 (1215)	1.1 (28)	2.2 (56)	5.6 (142)	2.2 (56)	8.9 (226)
201207	7 (175)	201206	6 (150)	5.0 (127)	10.0 (254)	25.0 (635)	9.8 (249)	39.3 (998)
201214	14 (355)	201212	12 (300)	5.0 (127)	10.0 (254)	25.0 (635)	9.8 (249)	39.3 (998)
201221	21 (530)	201218	18 (455)	3.7 (94)	7.5 (190)	18.7 (475)	7.4 (188)	29.5 (749)
201228	28 (710)	201224	24 (605)	2.6 (66)	5.2 (132)	13.0 (330)	5.1 (129)	20.6 (523)
201235	35 (885)	201230	30 (760)	1.9 (48)	3.8 (97)	9.5 (241)	3.8 (97)	15.1 (384)
201241	41 (1040)	201236	36 (910)	1.5 (38)	2.9 (74)	7.3 (185)	2.9 (74)	11.6 (295)
201255	55 (1395)	201248	48 (1215)	0.9 (23)	1.9 (48)	4.7 (119)	1.8 (46)	7.4 (188)

## Footnotes:

- (1) These listed speeds are a mechanical limitation. The maximum speed of a positioning table depends on the screw diameter, screw lead, screw length, and the screw end bearing support configuration. *LINTECH* uses a fixed-simple screw end bearing support configuration in its positioning tables. The correct motor & drive system needs to be selected in order to obtain the above maximum table speeds.

## Screws - Acme &amp; Ball

SCREW	ROLLED BALL SCREWS									
	Dyn. <sup>(1)</sup> Capacity	Static Capacity	Screw Efficiency	Breakaway Torque	Position Accuracy	Backlash	Unidirectional Repeatability	Bidirectional Repeatability		
	lbs (kg)	lbs (kg)	%	oz-in (N-m)	inch/ft (microns/300 mm)	inches (microns)	inches (microns)	inches (microns)		
0.750 inch dia. 0.200 inch lead	<i>Non-preloaded</i> (S013)	1,900 (862)	18,800 (8527)	90	20 (0,14)	< 0.003 (75)	+/- 0.0002 (5)	+ 0.0002 to - 0.0002 (5) (5)		
	(2) <i>Preloaded</i> (S014)	1,710 (776)	18,610 (8441)		30 (0,21)				0	
	<i>Non-preloaded</i> Turcite Nut (S015)	195 (88)	1,500 (680)	60	25 (0,18)				< 0.008 (203)	+ 0.0002 to - 0.0082 (5) (208)
	<i>Preloaded</i> Turcite Nut (S016)	175 (79)	1,500 (680)		40 (0,28)				0	+ 0.0002 to - 0.0002 (5) (5)
0.750 inch dia. 0.5000 inch lead	<i>Non-preloaded</i> (S017)	3,450 (1565)	24,200 (10977)	90	25 (0,18)	< 0.003 (75)	+/- 0.0002 (5)	+ 0.0002 to - 0.0082 (5) (208)		
	(2) <i>Preloaded</i> (S018)	3,150 (1429)	23,855 (10820)		40 (0,28)				0	
	<i>Non-preloaded</i> Turcite Nut (S019)	195 (88)	1,500 (680)	60	35 (0,25)				< 0.008 (203)	+ 0.0002 to - 0.0082 (5) (208)
	<i>Preloaded</i> Turcite Nut (S020)	175 (79)	1,500 (680)		60 (0,42)				0	+ 0.0002 to - 0.0002 (5) (5)

SCREW	GROUND BALL SCREWS <sup>(3)</sup>							
	Dyn. <sup>(1)</sup> Capacity	Static Capacity	Screw Efficiency	Breakaway Torque	Position Accuracy	Backlash	Unidirectional Repeatability	Bidirectional Repeatability
	lbs (kg)	lbs (kg)	%	oz-in (N-m)	inch/ft (microns/300 mm)	inches (microns)	inches (microns)	inches (microns)
0.750 dia., 0.200 lead <i>Preloaded</i> (S216)	1,070 (485)	3,990 (1809)	90	25 (0,18)	< 0.0006 (15)	0	+/- 0.0001 (2,5)	+ 0.0001 to - 0.0001 (2,5) (2,5)
0.750 dia., 0.500 lead <i>Preloaded</i> (S217)	1,200 (544)	4,200 (1905)	90	35 (0,24)	< 0.0006 (15)	0	+/- 0.0001 (2,5)	+ 0.0001 to - 0.0001 (2,5) (2,5)
20 mm dia., 5 mm lead <i>Preloaded</i> (S221)	1,070 (485)	3,990 (1809)	90	25 (0,18)	< 0.0006 (15)	0	+/- 0.0001 (2,5)	+ 0.0001 to - 0.0001 (2,5) (2,5)
20 mm dia., 20 mm lead <i>Preloaded</i> (S222)	1,293 (586)	3,505 (1589)	90	35 (0,24)	< 0.0006 (15)	0	+/- 0.0001 (2,5)	+ 0.0001 to - 0.0001 (2,5) (2,5)

## Footnotes:

- (1) Dynamic load capacity of screw based on 1 million inches of travel (25Km).
- (2) There is a 0.8 inch (20,3 mm) reduction of carriage travel (from the listed travel) when using a preloaded nut with this screw option for all the 200-WC0 (6 inch carriage) model versions. All the 12 inch carriage model numbers and the 200-WC1 series are not affected.
- (3) The 0.750 inch & 20 mm diameter Ground Ball Screw options are only available in travel lengths where the screw length is less than 47 inches (1194 mm).

## Screws - Acme &amp; Ball

SCREW	PRECISION BALL SCREWS								
	Dyn. <sup>(1)</sup> Capacity	Static Capacity	Screw Efficiency	Breakaway Torque	Position Accuracy	Backlash	Unidirectional Repeatability	Bidirectional Repeatability	
	lbs (kg)	lbs (kg)	%	oz-in (N-m)	inch/ft (microns/300 mm)	inches (microns)	inches (microns)	inches (microns)	
0.750 inch dia. 0.200 inch lead	<i>Non-preloaded</i> (S122)	964 (437)	3,360 (1524)	90	15 (0,11)	< 0.002 (50)	< 0.003 (76)	+/- 0.0002 (5)	+ 0.0002 to - 0.0032 (5) (81)
	<i>Preloaded</i> (S123)	867 (393)	3,025 (1372)		25 (0,18)		0		+ 0.0002 to - 0.0002 (5) (5)
20 mm dia. 5 mm lead	<i>Non-preloaded</i> (S124)	1,070 (485)	3,990 (1809)	90	15 (0,11)	< 0.002 (50)	< 0.003 (76)	+/- 0.0002 (5)	+ 0.0002 to - 0.0032 (5) (81)
	<i>Preloaded</i> (S125)	960 (435)	3,590 (1628)		25 (0,18)		0		+ 0.0002 to - 0.0002 (5) (5)
20 mm dia. 20 mm lead	<i>Non-preloaded</i> (S128)	1,293 (586)	3,505 (1589)	90	25 (0,18)	< 0.002 (50)	< 0.003 (76)	+/- 0.0002 (5)	+ 0.0002 to - 0.0032 (5) (81)
	<i>Preloaded</i> (S129)	1,160 (526)	3,150 (1428)		40 (0,28)		0		+ 0.0002 to - 0.0002 (5) (5)

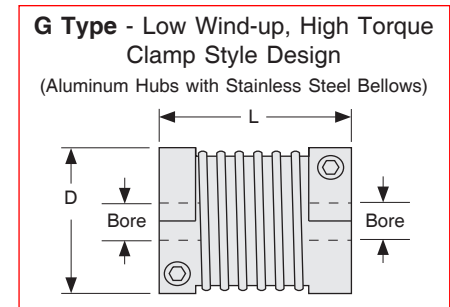
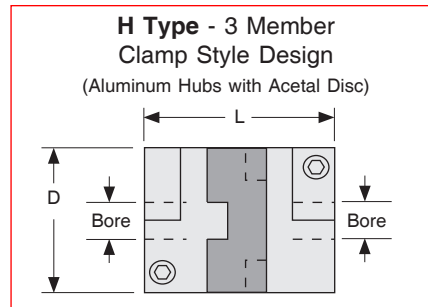
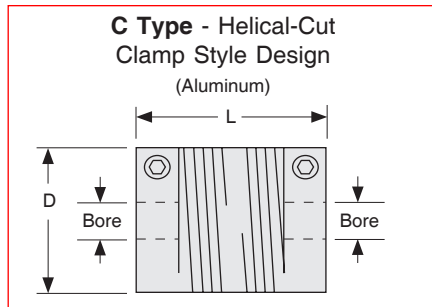
SCREW	ROLLED ACME SCREWS								
	Dyn. <sup>(1)</sup> Capacity	Static Capacity	Screw Efficiency	Breakaway Torque	Position Accuracy	Backlash	Unidirectional Repeatability	Bidirectional Repeatability	
	lbs (kg)	lbs (kg)	%	oz-in (N-m)	inch/ft (microns/300 mm)	inches (microns)	inches (microns)	inches (microns)	
0.750 inch dia. 0.100 inch lead	<i>Non-preloaded</i> (S306)	200 (91)	1,000 (453)	40	15 (0,11)	< 0.003 (75)	< 0.008 (203)	+/- 0.0002 (5)	+ 0.0002 to - 0.0082 (5) (208)
	<i>Preloaded</i> (S307)	180 (82)	900 (408)		30 (0,21)		0		+ 0.0002 to - 0.0002 (5) (5)
0.750 inch dia. 0.200 inch lead	<i>Non-preloaded</i> (S308)	200 (91)	1,000 (453)	40	20 (0,14)	< 0.003 (75)	< 0.008 (203)	+/- 0.0002 (5)	+ 0.0002 to - 0.0082 (5) (208)
	<i>Preloaded</i> (S309)	180 (82)	900 (408)		40 (0,28)		0		+ 0.0002 to - 0.0002 (5) (5)

## Footnotes:

(1) Dynamic load capacity of screw based on 1 million inches of travel (25Km).

## Motor Couplings

*LINTECH* provides three different types of couplings that can be used to mount a motor to a positioning table. These couplings compensate for misalignment between the motor shaft & screw shaft extension. This provides for trouble-free operation as long as certain precautions are taken. The connected motor output torque should never exceed the coupling maximum torque capacity. Larger capacity couplings may be required for applications having high accelerations, large back driving loads, high torque output motors, or servo motors.



Model #	D inches (mm)	L inches (mm)	Bore Diameters				Weight ounces (grams)	Inertia oz-in <sup>2</sup> (g-cm <sup>2</sup> )	Wind-up arc-sec/oz-in (deg/N-m)	Max Torque oz-in (N-m)
			Table	Motor	Minimum (in) (mm)	Maximum (in) (mm)				
<b>C125-500-aaa</b>	1.25 (31,8)	2.00 (50,8)	<b>500</b>	<b>aaa</b>	.250 6	.500 14	3.5 (99)	.68 (124)	15.0 (0,59)	700 (4,9)
<b>C150-500-aaa<sup>(1)</sup></b>	1.50 (38,1)	2.37 (60,2)	<b>500</b>	<b>aaa</b>	.375 10	.625 16	5.5 (156)	1.54 (282)	13.0 (0,51)	950 (6,7)
<b>H131-500-aaa</b>	1.31 (33,3)	1.89 (48,0)	<b>500</b>	<b>aaa</b>	.250 6	.625 16	2.9 (82)	.62 (114)	2.5 (0,098)	1,000 (7,1)
<b>H163-500-aaa<sup>(1)</sup></b>	1.63 (41,4)	2.00 (50,8)	<b>500</b>	<b>aaa</b>	.375 10	.750 20	5.4 (153)	1.79 (328)	1.2 (0,047)	2,000 (14,1)
<b>G126-500-aaa</b>	1.26 (32,1)	1.62 (41,0)	<b>500</b>	<b>aaa</b>	.250 6	.625 16	2.7 (74)	.54 (99)	0.3 (0,012)	1,100 (7,7)
<b>G158-500-aaa<sup>(1)</sup></b>	1.58 (40,2)	1.85 (47,0)	<b>500</b>	<b>aaa</b>	.375 10	.750 20	4.3 (120)	1.34 (245)	0.2 (0,008)	2,400 (17,0)
Possible values for <b>aaa</b>	250 = .250 inch 375 = .375 inch 500 = .500 inch 625 = .625 inch		750 = .750 inch		006 = 6 mm 008 = 8 mm 010 = 10 mm	012 = 12 mm 014 = 14 mm 016 = 16 mm 018 = 18 mm		019 = 19 mm 020 = 20 mm		

### Footnotes:

- (1) This coupling option can not be used with the optional NEMA 23 and NEMA 34 motor mount because its diameter is too large or its length is too long. However, this coupling option can be used with the optional NEMA 42 motor mount. Custom motor mounts can be provided upon request. See page H-23 for maximum coupling diameter and length specifications for use with the optional NEMA 23, 34 & 42 motor mounts.



## Motor Couplings

Coupling	Cost	Torque Capacity	Wind-up	Suggested Motor	Comments
<b>C Type</b>	least expensive	light	the most	stepper	ideal for most step motor applications
<b>H Type</b>	medium priced	medium	medium	stepper or servo	use for high accels & for starting & stopping large inertia loads
<b>G Type</b>	most expensive	high	the least	servo	use for very high torque requirements & very high servo accelerations

Specification	200 Series NEMA 23 bracket	200 Series NEMA 34 bracket	200 Series NEMA 42 bracket
	inches (mm)	inches (mm)	inches (mm)
<b>Shaft extension diameter at motor mount end</b>	0.500 (12,70)	0.500 (12,70)	0.500 (12,70)
<b>Maximum coupling diameter</b>	1.500 (38,10)	1.500 (38,10)	2.000 (50,80)
<b>Maximum coupling length</b>	2.100 (53,34)	2.600 (66,04)	2.500 (63,50)

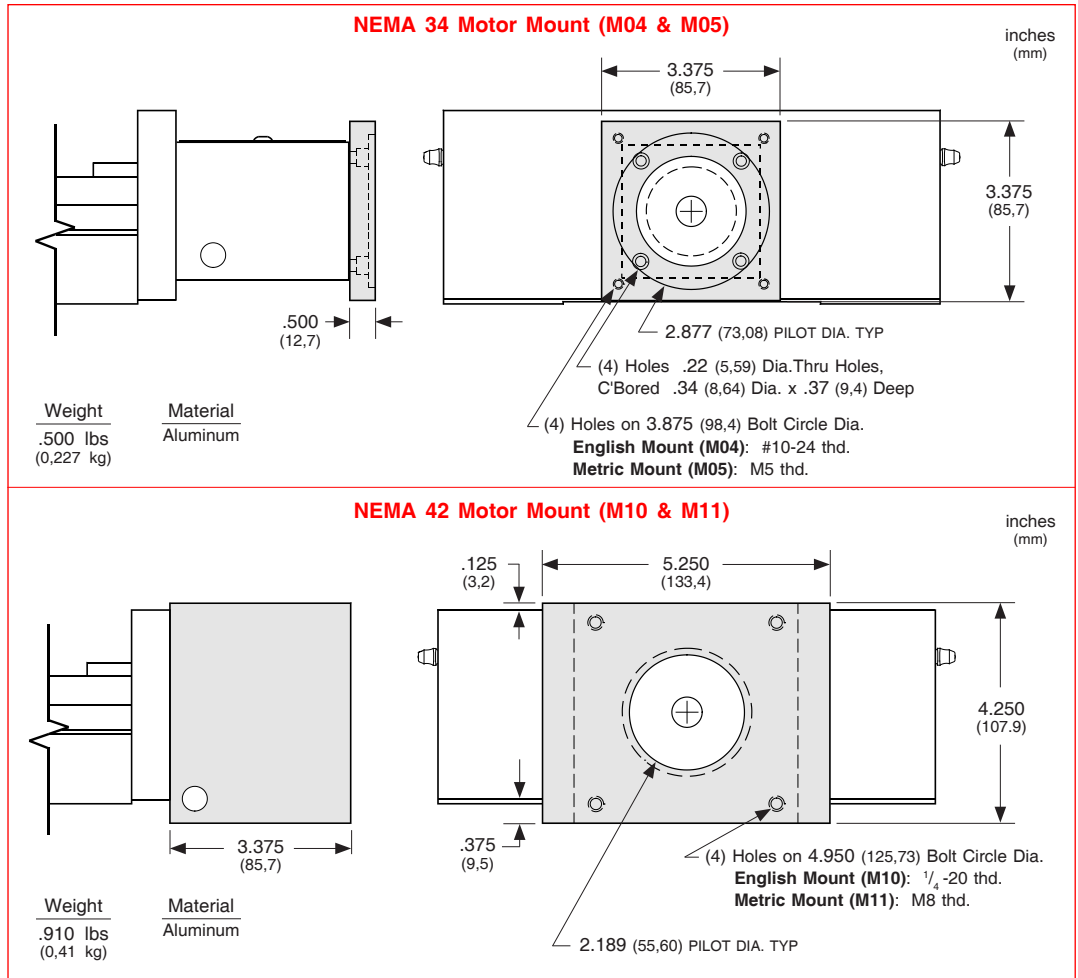
**Note:** Custom brackets available upon request.

## Coupling Part Numbers

<b>C056</b> C125-500-250	<b>C165</b> H131-500-250	<b>C445</b> G126-500-250
<b>C057</b> C125-500-375	<b>C166</b> H131-500-375	<b>C446</b> G126-500-375
<b>C058</b> C125-500-500	<b>C167</b> H131-500-500	<b>C447</b> G126-500-500
<b>C059</b> C125-500-006	<b>C168</b> H131-500-625	<b>C448</b> G126-500-625
<b>C060</b> C125-500-008	<b>C169</b> H131-500-006	<b>C449</b> G126-500-006
<b>C061</b> C125-500-010	<b>C170</b> H131-500-008	<b>C450</b> G126-500-008
<b>C062</b> C125-500-012	<b>C171</b> H131-500-010	<b>C451</b> G126-500-010
<b>C063</b> C125-500-014	<b>C172</b> H131-500-012	<b>C452</b> G126-500-012
	<b>C173</b> H131-500-014	<b>C453</b> G126-500-014
	<b>C174</b> H131-500-016	<b>C454</b> G126-500-016
<b>C084</b> C150-500-375		
<b>C085</b> C150-500-500		
<b>C086</b> C150-500-625	<b>C201</b> H163-500-375	<b>C481</b> G158-500-375
<b>C087</b> C150-500-010	<b>C202</b> H163-500-500	<b>C482</b> G158-500-500
<b>C088</b> C150-500-012	<b>C203</b> H163-500-625	<b>C483</b> G158-500-625
<b>C089</b> C150-500-014	<b>C204</b> H163-500-750	<b>C484</b> G158-500-750
<b>C090</b> C150-500-016	<b>C205</b> H163-500-010	<b>C485</b> G158-500-010
	<b>C206</b> H163-500-012	<b>C486</b> G158-500-012
	<b>C207</b> H163-500-014	<b>C487</b> G158-500-014
	<b>C208</b> H163-500-016	<b>C488</b> G158-500-016
	<b>C209</b> H163-500-018	<b>C489</b> G158-500-018
	<b>C210</b> H163-500-019	<b>C490</b> G158-500-019
	<b>C211</b> H163-500-020	<b>C491</b> G158-500-020

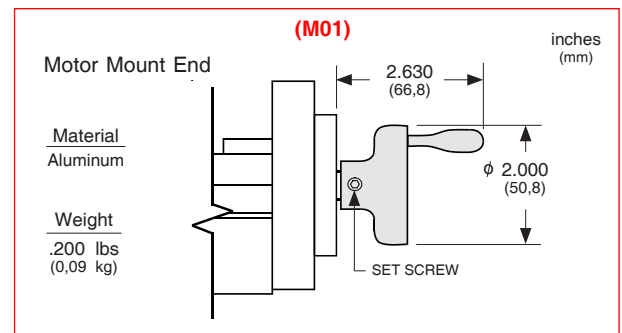
### NEMA 34 & 42 Motor Mounts

The NEMA 34 motor adapter bracket is an aluminum flange that mounts to the front of the NEMA 23 motor mount. The NEMA 42 motor mount is a 3 piece bracket that mounts to the 200 series table. The brackets can be ordered in either an English, or Metric motor mount. *LINTECH* can provide adapter brackets for any step motor, or servo motor, that has other mounting requirements.



### Hand Crank

For manually operated applications, *LINTECH* provides a hand crank option for the 200 table series. The hand crank replaces the motor mount and coupling on the table.

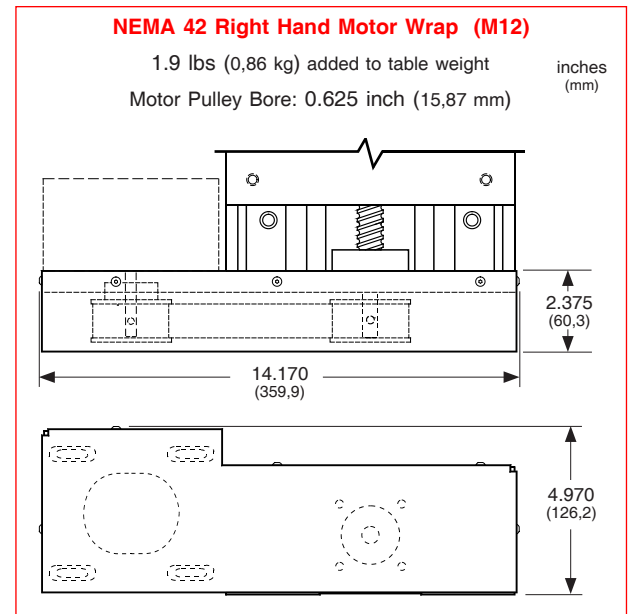
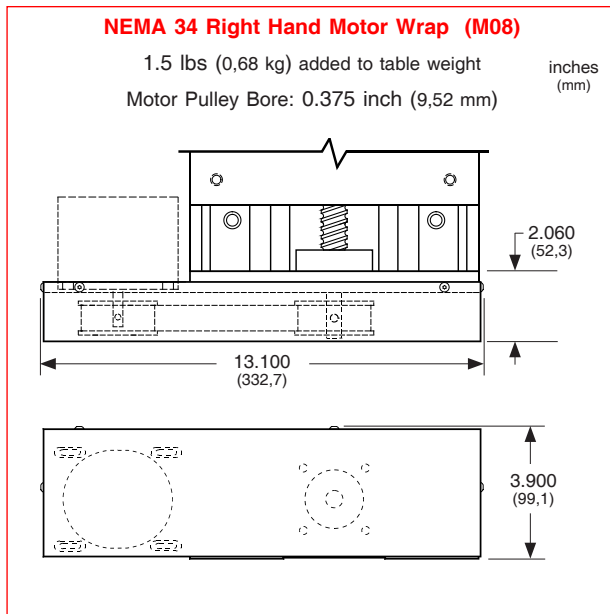


### Chrome Plated Linear Bearings, Rails, and Screws

For applications in high moisture, high humidity, clean room, or highly corrosive environments, chrome plating of the linear bearings, linear rails, and screw will offer superior resistance to corrosion than stainless steel components, resulting in longer table life. The process uniformly deposits dense, hard, high chromium alloy on the rails or screw, and has a Rockwell C hardness value of 67-72. This process also conforms to MIL Spec: (MIL-C-23422). The chrome plating bonds to the parent material and will not crack or peel off under the high point loading of balls on the rail, or screw. This chrome plating process differs from a normal hard chrome plate which just lays on the surface of the part plated.

### Motor Wrap Packages

For space limited 200 series applications, a belt and pulley system can couple the screw shaft extension to the motor shaft. This wraps the motor parallel to the table in order to decrease the overall positioning system length. Pulley weights and diameters are given in order to assist in calculating motor torque requirements.



Motor Wrap Frame Size	Motor Pulley Dia. inches (mm)	Motor Pulley Wt. ounces (kg)	Screw Pulley Dia. inches (mm)	Screw Pulley Wt. ounces (kg)	Belt Weight ounces (kg)
<b>NEMA 34</b>	1.65 (41,9)	8.0 (0,23)	1.65 (41,9)	8.0 (0,23)	1.2 (0,034)
<b>NEMA 42</b>	2.12 (53,9)	19.2 (0,54)	2.12 (53,9)	19.2 (0,54)	3.0 (0,085)

**Note:** Right hand motor wraps shown. The left hand wrap packages orient the motor to the opposite side of the table. Motor pulley & belt shipped "loose". No motor mount nuts & bolts are provided. Custom motor wrap packages are available upon request. Other motor pulley bores MUST be specified for non-NEMA motors.

### Power-off Electric Brakes

For vertical table applications, or for those applications requiring the load to be locked securely in place, an electric brake may be mounted to the positioning table. The 200 series will have the brake mounted to the screw shaft extension located on the table end, opposite the motor mount bracket. With proper wiring from a control system, this power-off friction brake can ensure that the carriage is firmly held in place, when no electric power is applied to the brake. When power is applied to the brake, the brake is opened or "released".

For proper emergency braking of the positioning table, this electric brake needs to be interfaced to a position controller or relay network. *LINTECH* also provides 24 & 90 VDC power supplies which can be used to power the brakes.

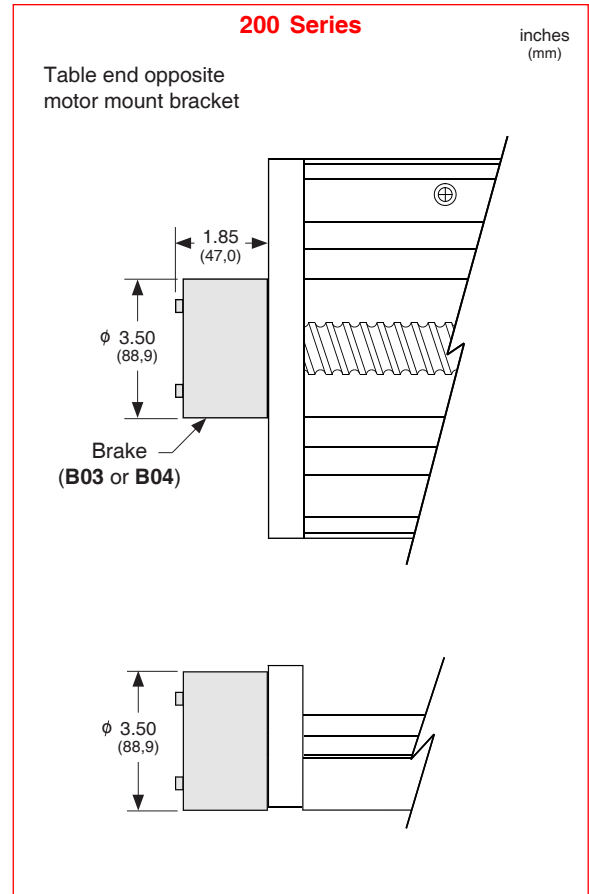
### Brakes

Model Number	Holding Force in-lbs (N-m)	Excitation Voltage volts	Current amps	Weight lbs (kg)
<b>B03</b>	84 (9,5)	24 VDC	0.973	3.3 (1,50)
<b>B04</b>	84 (9,5)	90 VDC	0.239	3.3 (1,50)

**Note:** This power-off electric brake MUST NOT be engaged when the positioning table is in motion. Moving the table with the brake applied could damage the brake and the positioning table. Also, continuous use of this brake to stop a table (load) that is in motion could damage the brake and the positioning table. Dynamic braking of a positioning table should be done by the motor and not the brake.

### Power Supplies

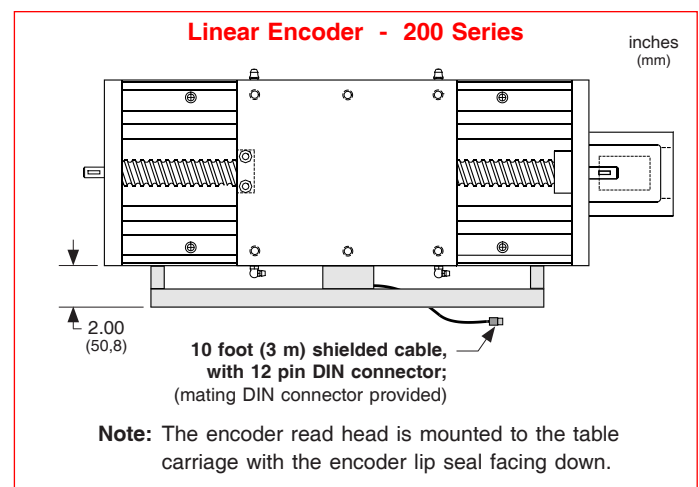
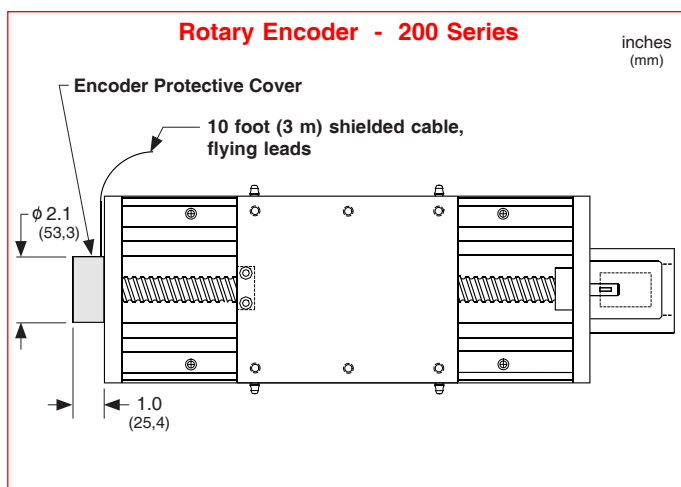
Model Number	DC Output			AC Input		
	volts	amps	style	volts	amps	Hz
<b>41970</b>	5	3.0	regulated	120 / 240	0.8 / 0.4	47-63
<b>37488</b>	24	1.2	regulated	120 / 240	0.8 / 0.4	47-63
<b>37489</b>	90	0.8	unregulated	120	1.0	50/60
<b>37490</b>	90	0.8	unregulated	240	0.5	50/60



### Linear & Rotary Incremental Encoders

Fully enclosed, incremental, optical linear encoders can be mounted along side any *LINTECH* 200 series table. Shaftless, incremental, optical rotary encoders can be mounted to the screw shaft extension opposite the motor mount end on the 200 series positioning tables. These encoders provide positional feedback to either a motion controller, or a digital position display.

LINEAR		ROTARY	Description
Din Pin #	Wire Color	Wire Color	
C	Green	White	Channel A <sup>+</sup> (or A)
D	Yellow	Blue	Channel A <sup>-</sup> (or $\bar{A}$ )
E	Pink	Green	Channel B <sup>+</sup> (or B)
L	Red	Orange	Channel B <sup>-</sup> (or $\bar{B}$ )
G	Brown	White/Black	Channel Z <sup>+</sup> (or Z)
H	Grey	Red/Black	Channel Z <sup>-</sup> (or $\bar{Z}$ )
A	Shield		Case ground
B	White	Black	Common
K	Black	Red	+ 5 vdc (+/- 5%)



Specification	ROTARY ENCODERS			LINEAR ENCODERS	
	E01	E02	E03	E10	E11
<b>Line Count</b>	500 lines/rev	1000 lines/rev	1270 lines/rev	2500 lines/inch	125 lines/mm
<b>Pre Quadrature Resolution</b>	0.002 revs/pulse	0.001 revs/pulse	0.00079 revs/pulse	0.0004 inch/pulse	8 microns/pulse
<b>Post Quadrature Resolution</b>	0.0005 revs/pulse	0.00025 revs/pulse	0.00019 revs/pulse	0.0001 inch/pulse	2 micron/pulse
<b>Accuracy</b>				+/- 0.0002 in/40"	+/- 5 microns/m
<b>Maximum Speed</b>	50 revs/sec			79 inches/sec	2 m/sec
<b>Maximum Accel</b>	40 revs/sec <sup>2</sup>			130 ft/sec <sup>2</sup>	40 m/sec <sup>2</sup>
<b>Excitation Power</b>	+ 5 VDC @ 125 ma			+ 5 VDC @ 150 ma	
<b>Operating Temperature</b>	32° F to 140° F (0° C to 60° C)			32° F to 120° F (0° C to 50° C)	
<b>Humidity</b>	20% to 80% non condensing			20% to 80% non condensing	
<b>Shock</b>	10 G's for 11 msec duration			15 G's for 8 msec duration	
<b>Weight</b>	0.7 lbs (0,283 kg)			0.7 oz/inch (0,00078 kg/mm) length of scale + 0.5 lbs (0,23 kg) read head and brackets	
<b>Cable Length</b>	10 ft (3 m), unterminated 26 gauge leads			10 ft (3 m) with DIN connector	
<b>Zero Reference Output</b>	Once per revolution			At center of encoder length	
<b>Outputs</b>	TTL square wave; Two channel (A+ & B+); Differential (A- & B-); Line Driver				

Specifications subject to change without notice

