

LINTECH[®]

***Miniature
Profile Rails***



Welcome to *LINTECH*®



For over 48 years *LINTECH* has designed, engineered, and manufactured linear positioning components for use in a wide range of applications. Whether it is a standard positioning component or a custom positioning assembly, *LINTECH* takes great pride in manufacturing a quality product.

At *LINTECH* we are proud to provide the motion control user with this product guide. It was developed to assist you with the design, selection, and implementation of mechanical positioning components.

Depending on the requirements, standard positioning components, or systems, can often be assembled and shipped in less than 2 weeks. Custom positioning assemblies require a different approach. We evaluate your special application, use our many years of experience to guide you, and then manufacture a quality product designed to meet your performance specifications.

LINTECH's technical support consists of a well trained inside customer service department, an experienced application engineering staff, and a versatile machining facility.

Our local technical support group consists of Automation Specialists located throughout the World. These Automation Specialists are experienced in the use of electronic and mechanical motion control products. They are well trained on the performance capabilities of *LINTECH* positioning components.

LINTECH is constantly designing new products and improving upon the many options available with our standard products. Whether it is a standard or custom positioning system required, visit our website, call, or e-mail us. We look forward to hearing from you.

Visit our website, or call us for the location of the nearest Automation Specialist in your area:

LINTECH®

1845 Enterprise Way
Monrovia, CA. 91016

Toll Free: (800) 435 - 7494

Phone: (626) 358 - 0110

Fax: (626) 303 - 2035

Web Site: www.LintechMotion.com

E-Mail: Lintech@LintechMotion.com



version: 10/2019

Table of Contents

	Pages
Block Seal Options	2 to 3
Accuracy, Preload and Speed Specs	4 to 5
Part Number and Load Capacities	6 to 7
MR series Standard Rail Width Dimensions and Specs	8 to 12
MR series Wide Rail Width Dimensions and Specs	13 to 17
Terms of Sale	Inside Back Cover

SS - End Seals

The standard dustproofed end seal option is designed to have the block be hermetically sealed on both ends. This extends the block lifespan, reduces lubrication grease consumption, and ensures a long lasting lubrication effect. The special seal slip design also ensures a low friction force so as not to affect the block's running smoothness.

ZZ - End Seals with Lubrication Pads

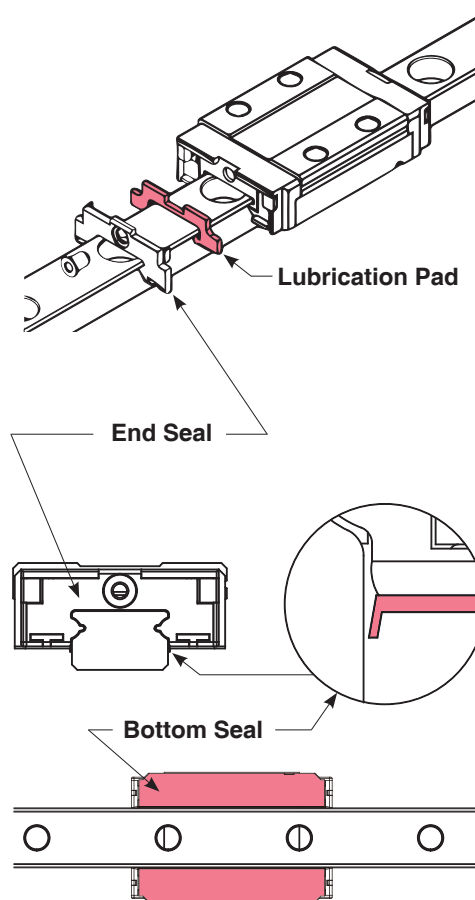
The built-in lubrication pad option can be utilized toward prolonging lubrication further for long term motion. This also reduces maintenance costs, while also demonstrating a superior lubrication capability during short stroke motion.

SU - End and Bottom Seals

In addition to the standard end seals, the block is equipped with a set of standard bottom seals. These bottom seals prevent foreign matter from entering via the lower side of the block and rail, thereby extending the working life of the block.

ZU - End and Bottom Seals with Lubrication Pads

The built-in lubrication pad option can be utilized toward prolonging lubrication further for long term motion. This also reduces maintenance costs, while also demonstrating a superior lubrication capability during short stroke motion.



EE - End Seals with Reinforcement Plates

In addition to the standard end seals, the block is equipped with two stainless steel reinforcement plates that completely cover the two plastic end seals on the block. Two stainless steel screws are used to secure the reinforcement plate to the block, thereby strengthening the rigidity and increasing the coverage area of the block endcaps. This allows the block to be used in applications calling for faster running speeds and acceleration rates.

EZ - End Seals with Reinforcement Plates and Lubrication Pads

The built-in lubrication pad option can be utilized toward prolonging lubrication further for long term motion. This also reduces maintenance costs, while also demonstrating a superior lubrication capability during short stroke motion.

EU - End Seals and Stainless Steel Bottom Seals with Reinforcement Plates

In addition to the standard end seals and stainless steel reinforcement plates at each end, the block is also equipped with two stainless steel bottom seals. This provides ultimate block protection from unnecessary damage caused by collision with foreign objects and is recommended for environments that have iron scraps in the vicinity.

UZ - End Seals and Stainless Steel Bottom Seals with Reinforcement Plates and Lubrication Pads

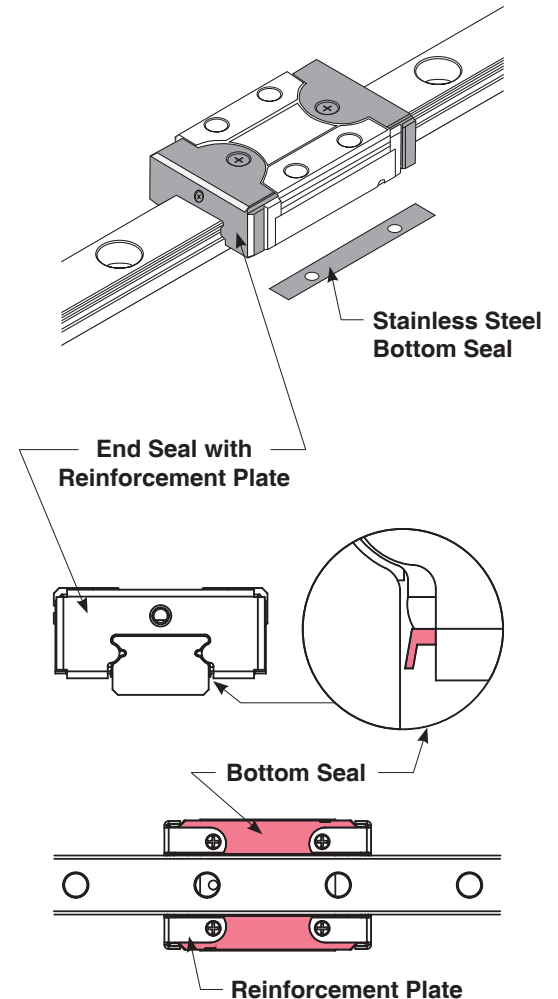
The built-in lubrication pad option can be utilized toward prolonging lubrication further for long term motion. This also reduces maintenance costs, while also demonstrating a superior lubrication capability during short stroke motion.

SUE - End and Bottom Seals with Reinforcement Plates

In addition to the standard end seals and stainless steel reinforcement plates at each end, the block is also equipped with two standard bottom seals. This provides the best block protection from unnecessary dust and small debris, thereby extending the working life of the block.

ZUE - End and Bottom Seals with Reinforcement Plates and Lubrication Pads

The built-in lubrication pad option can be utilized toward prolonging lubrication further for long term motion. This also reduces maintenance costs, while also demonstrating a superior lubrication capability during short stroke motion.



Preload & Clearance - MR

Preload Class	Definition	Clearance (um)						Application
		3	5	7	9	12	15	
V0	Clearance	+3 to 0	+3 to 0	+4 to 0	+4 to 0	+5 to 0	+6 to 0	very smooth
VS	Standard	+1 to 0	+1 to 0	+2 to 0	+2 to 0	+2 to 0	+3 to 0	smooth and high precision
V1	Light Preload	0 to -0.5	0 to -1	0 to -3	0 to -4	0 to -5	0 to -6	high rigidity, minimizes vibration, load balance, high precision

Speed & Acceleration - MR

Definition	End and Bottom Seal Version				
	SS/ZZ	SU/ZU	EE/EZ	EU/UZ	SUE/ZUE
Max Speed (m/sec)	3	3	5	5	5
Max Acceleration (m/sec ²)	250	250	300	300	300

Standard Rail Tapped from Bottom - MRU

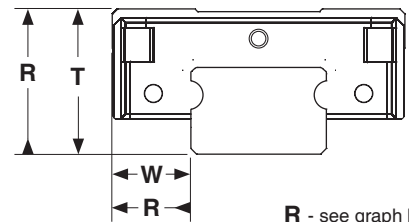
Rail Size	(mm)				F	Diagram
	D	P	A	F		
MRU 3M	M1.6 x 0.35	3	2.6	10		
MRU 5M	M3 x 0.5	5	3.5	15		
MRU 7M	M3 x 0.5	7	4.7	15		
MRU 9M	M4 x 0.7	9	5.5	20		
MRU 12M	M4 x 0.7	12	7.5	25		
MRU 15M	M4 x 0.7	15	9.5	40		

Wide Rail Tapped from Bottom - MRU

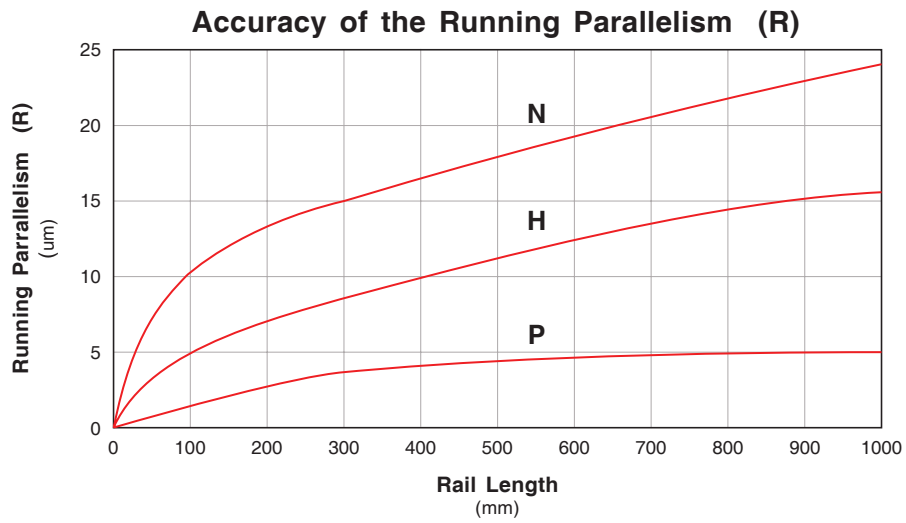
Rail Size	(mm)				F	Diagram
	D	P	A	F		
MRU 3W	M3 x 0.5	6	2.7	15		
MRU 5W	M3 x 0.5	10	4.0	20		
MRU 7W	M4 x 0.7	14	5.2	30		
MRU 9W	M4 x 0.7	18	7.3	30		
MRU 12W	M5 x 0.8	24	8.5	40		
MRU 15W	M5 x 0.8	42	9.5	40		

Accuracy

		N (μm)	H (μm)	P (μm)
Tolerance of Dimension Height T	T	+/- 40	+/- 20	+/- 10
Variation of Height for a Different Block Located at the Same Position on the Rail	∇ T	25	15	7
Tolerance of Dimension Width W	W	+/- 40	+/- 25	+/- 15
Variation of Width for a Different Block Located at the Same Position on the Rail	∇ W	30	20	10



R - see graph below for Accuracy of the Running Parallelism





- * Miniature Rail Linear Guide
 - * Stainless Steel Rail
 - * 2 rows of re-circulating balls
 - * Equal loading in all directions
 - * Standard & Long Block
 - * Standard and Wide Rail
 - * 3 Different Accuracy ranges
 - * 3 Different Preload values
- * 10 Different block seal options
 - * Any rail cut to specific length
 - * *Optional* - Tapped bottom rail
 - * *Optional* - Self lube reservoir

MR U 12 M N SUE VS H - 2 - 1260 - 30 - 30

Series Type

MR - Miniature Linear Guide

Rail Type

- Standard **U** - Tapped from Bottom

Profile Size

2 - 2 mm **7** - 7 mm **15** - 15 mm
3 - 3 mm **9** - 9 mm
5 - 5 mm **12** - 12 mm

Rail Width

M - Standard **W** - Wide

Block Length

N - Standard **L** - Long

Block Seals

- SS** - End Seal
- ZZ** - End Seal & Lube Storage
- SU** - End Seal & Bottom Seal
- ZU** - End Seal & Bottom Seal & Lube Storage
- EE** - End Seal & Reinforcement Plate
- EZ** - End Seal & Reinforcement Plate & Lube Storage
- EU** - End Seal & Reinforcement Plate & Stainless Bottom Seal
- UZ** - End Seal & Reinforcement Plate & Stainless Bottom Seal & Lube Storage
- SUE** - End Seal & Bottom Seal & Reinforcement Plate
- ZUE** - End Seal & Bottom Seal & Reinforcement Plate & Lube Storage

Preload Class

V0 - None **VS** - Standard **V1** - Medium

Accuracy Grade

N - Normal **H** - High **P** - Precision

Number of Blocks

2 - Number of blocks on each rail

Rail Length

xxxx - Overall rail length (mm)

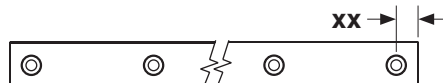
Start Hole

xx - Distance from end (mm)



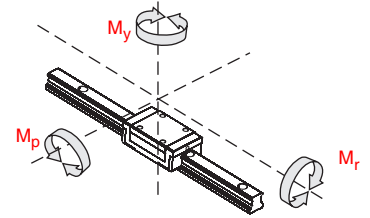
End Hole

xx - Distance from end (mm)



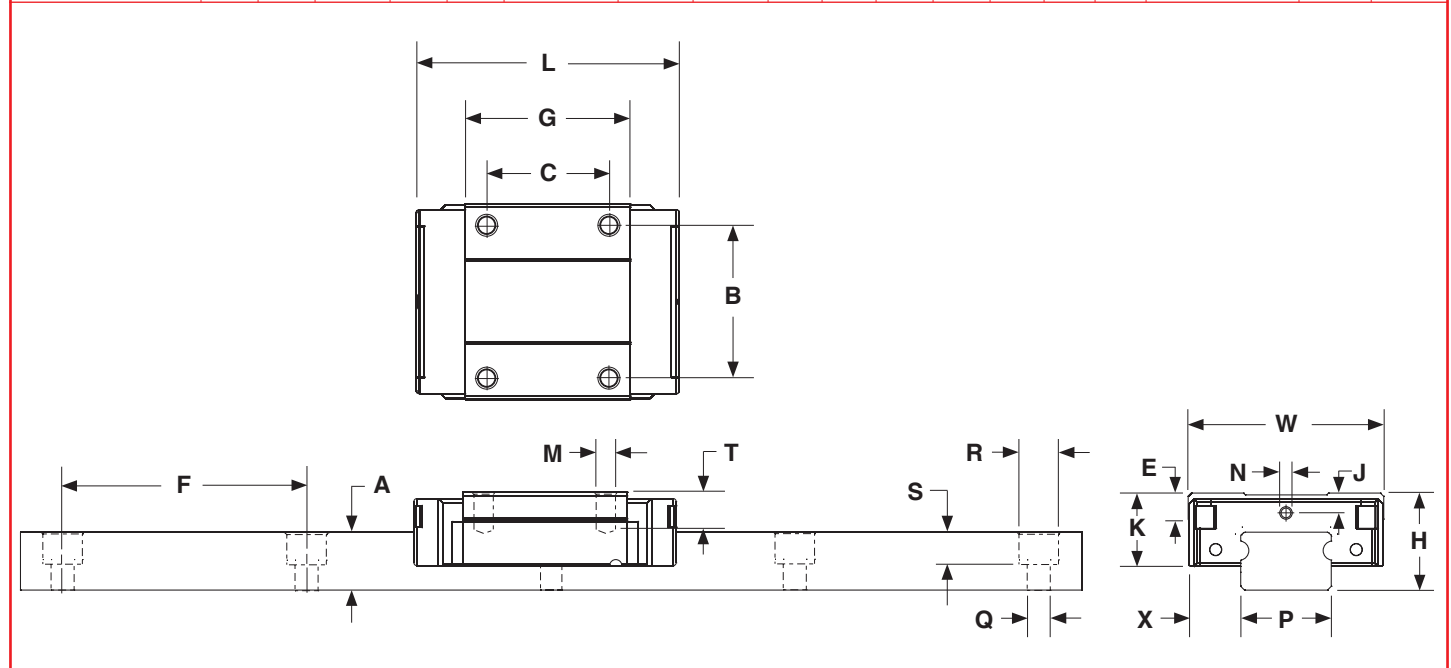
Load Capacities - MR series

Model Number	Dynamic Load Capacity C_{50} (kN @ 50 km)	Static Load Capacity C_0 (kN)	Static Moment Loads		
			M_r (Nm)	M_p (Nm)	M_y (Nm)
MR 3 MN	.24	.31	.6	.4	.4
MR 3 WN	.35	.53	1.6	.9	.9
MR 3 ML	.37	.58	.9	1.1	1.1
MR 2 WL	.39	.62	1.6	1.2	1.2
MR 5 MN	.42	.55	1.7	1.0	1.0
MR 3 WL	.47	.80	2.5	1.9	1.9
MR 5 ML	.59	.90	2.4	2.1	2.1
MR 5 WN	.60	.90	4.6	2.2	2.2
MR 5 WL	.77	1.31	6.8	4.1	4.1
MR 7 MN	1.12	1.44	5.2	3.3	3.3
MR 7 WN	1.49	2.09	15.0	7.3	7.3
MR 7 ML	1.65	2.44	9.0	7.7	7.7
MR 7 WL	1.98	3.14	22.6	14.9	14.9
MR 9 MN	1.98	2.49	11.7	6.4	6.4
MR 9 WN	2.56	3.60	33.2	13.7	13.7
MR 9 ML	2.69	3.88	18.2	12.4	12.4
MR 12 MN	2.91	3.46	21.5	12.9	12.9
MR 9 WL	3.21	4.99	45.9	26.7	26.7
MR 12 WN	3.86	5.20	63.7	26.3	26.3
MR 12 ML	4.08	5.63	34.9	30.2	30.2
MR 15 MN	4.80	5.59	43.6	27.0	27.0
MR 12 WL	5.13	7.80	95.6	56.4	56.4
MR 15 WN	6.38	8.38	171.1	45.7	45.7
MR 15 ML	6.74	9.08	70.0	63.3	63.3
MR 15 WL	8.47	12.58	257.6	93.1	93.1



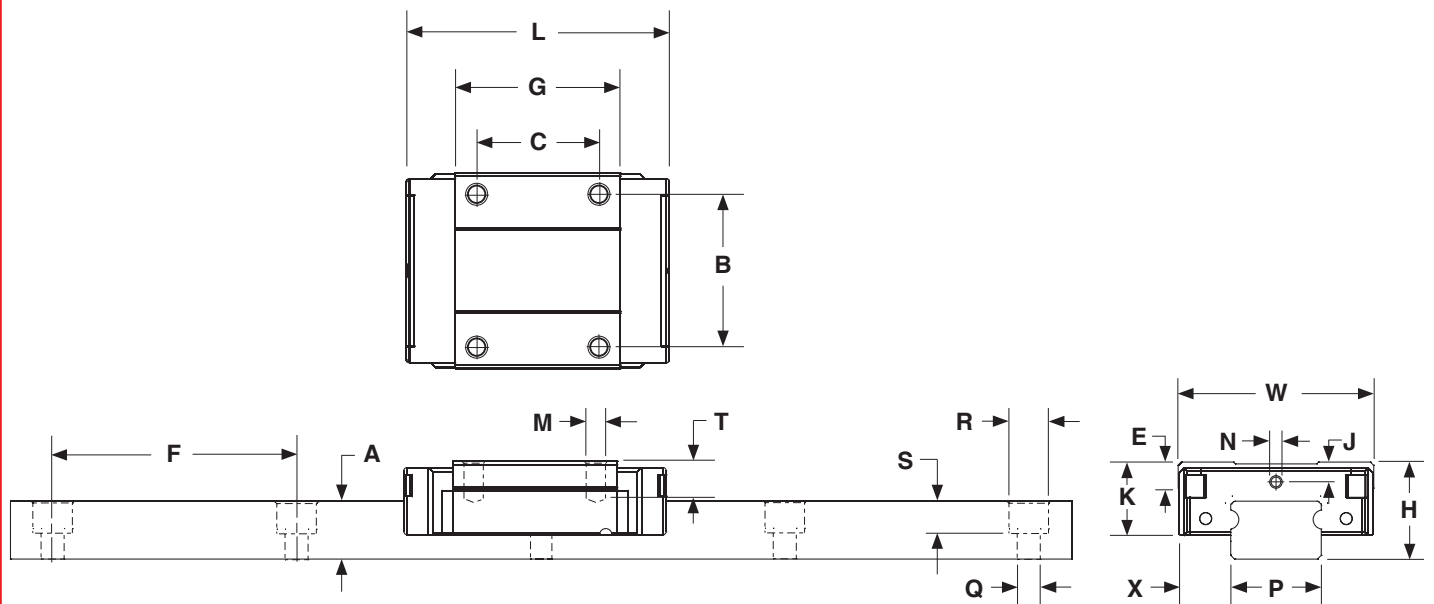
Dimensions & Specifications - SS / ZZ End Seals

Model Number	Outline (mm)			Block Dimensions (mm)								Rail Dimensions (mm)						Weight	
	Height H	Width W	Length L	B	C	M x T	K	G	N	J	E	P	X	A	F	Q x R x S	Block (g)	Rail (g/m)	
MRU3MNSS MRU3MLSS	4	8	11.9 16.1	-	3.5 5.5	M1.6 x 1.1 M2 x 1.1	3.2	6.7 11.0	0.3	0.7	1.5	3	2.5	2.6	10	M1.6	0.9 1.2	53	
MR5MNSS/ZZ MR5MLSS/ZZ	6	12	16.3 19.7	8	- 7	M2 x 1.5 M2.6 x 2	4.7 4.6	10.0 13.5	0.7	1.3	2.0	5	3.5	3.5	15	2.4 x 3.5 x 1	3.5 4	116	
MR7MNSS/ZZ MR7MLSS/ZZ	8	17	24.1 31.5	12	8 13	M2 x 2.5	6.6 6.7	14.3 21.8	1.1	1.6	2.8	7	5.0	4.7	15	2.4 x 4.2 x 2.3	8 14	215	
MR9MNSS/ZZ MR9MLSS/ZZ	10	20	30.9 41.1	15	10 16	M3 x 3.0	7.9 8.0	20.5 30.8	1.3	2.2	3.3	9	5.5	5.5	20	3.5 x 6 x 3.5	18 28	301	
MR12MNSS/ZZ MR12MLSS/ZZ	13	27	35.8 47.8	20	15 20	M3 x 3.5	10.1 10.2	22.0 34.0	1.3	3.2	4.3	12	7.5	7.5	25	3.5 x 6 x 4.5	34 51	602	
MR15MNSS/ZZ MR15MLSS/ZZ	16	32	43.4 60.2	25	20 25	M3 x 5.5	12.2	27.0 44.0	1.8	3.3	4.3	15	8.5	9.5	40	3.5 x 6 x 4.5	61 90	930	



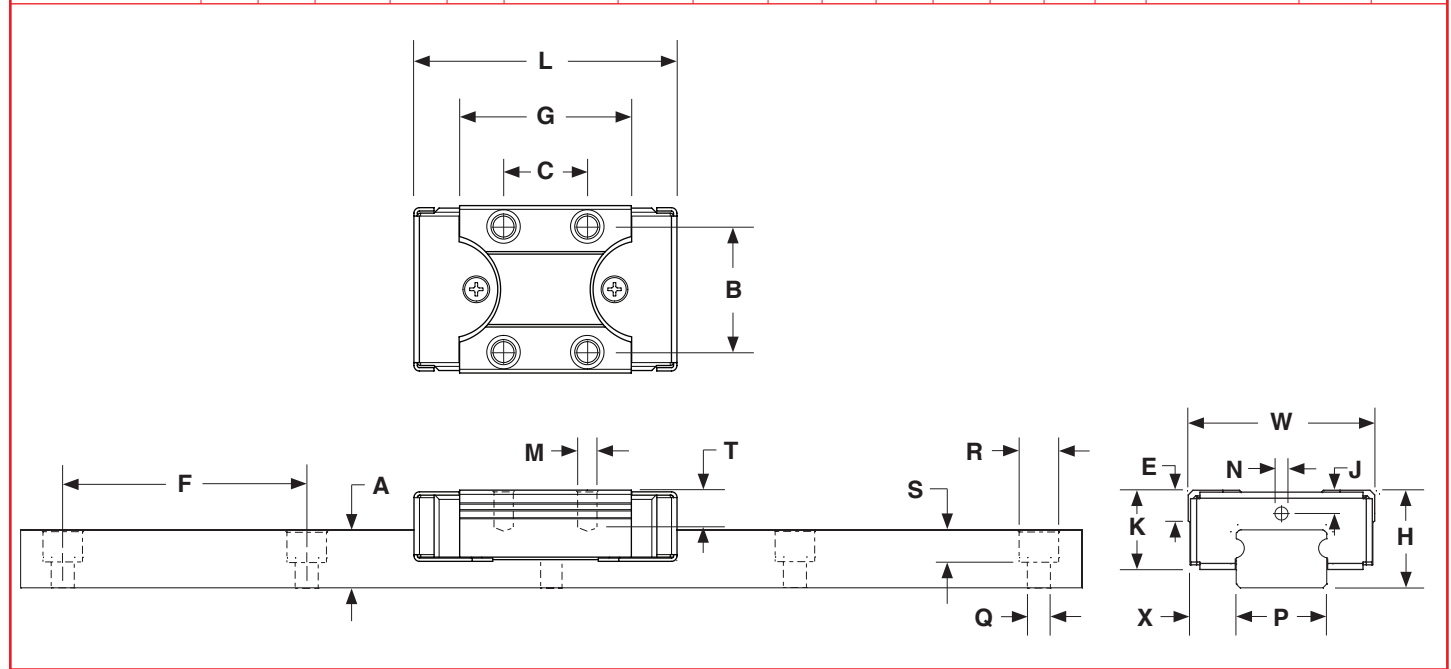
Dimensions & Specifications - SU / ZU End & Bottom Seals

Model Number	Outline (mm)			Block Dimensions (mm)								Rail Dimensions (mm)					Weight	
	Height H	Width W	Length L	B	C	M x T	K	G	N	J	E	P	X	A	F	Q x R x S	Block (g)	Rail (g/m)
MRU 3 MN SU/ZU MRU 3 ML SU/ZU	4	8	11.8 16.1	-	3.5 5.5	M1.6 x 1.1 M2 x 1.1	3.5	6.7 11.0	0.3	0.7	1.5	3	2.5	2.6	10	M1.6	0.9 1.2	53
MR 5 MN SU/ZU MR 5 ML SU/ZU	6	12	16.9 19.9	8	- 7	M2 x 1.5 M2.6 x 2	4.9	10.0 13.5	0.7	1.3	2.0	5	3.5	3.5	15	2.4 x 3.5 x 1	3.5 4	116
MR 7 MN SU/ZU MR 7 ML SU/ZU	8	17	24.0 31.4	12	8 13	M2 x 2.5	7.0 6.9	14.3 21.8	1.1	1.6	2.8	7	5.0	4.7	15	2.4 x 4.2 x 2.3	8 14	215
MR 9 MN SU/ZU MR 9 ML SU/ZU	10	20	30.9 41.1	15	10 16	M3 x 3.0	8.3 8.2	20.5 30.8	1.3	2.2	3.3	9	5.5	5.5	20	3.5 x 6 x 3.5	18 28	301
MR 12 MN SU/ZU MR 12 ML SU/ZU	13	27	35.7 48.0	20	15 20	M3 x 3.5	10.4 10.5	22.0 34.0	1.3	3.2	4.3	12	7.5	7.5	25	3.5 x 6 x 4.5	34 51	602
MR 15 MN SU/ZU MR 15 ML SU/ZU	16	32	43.5 60.4	25	20 25	M3 x 5.5	12.5	27.0 44.0	1.8	3.3	4.3	15	8.5	9.5	40	3.5 x 6 x 4.5	61 90	930



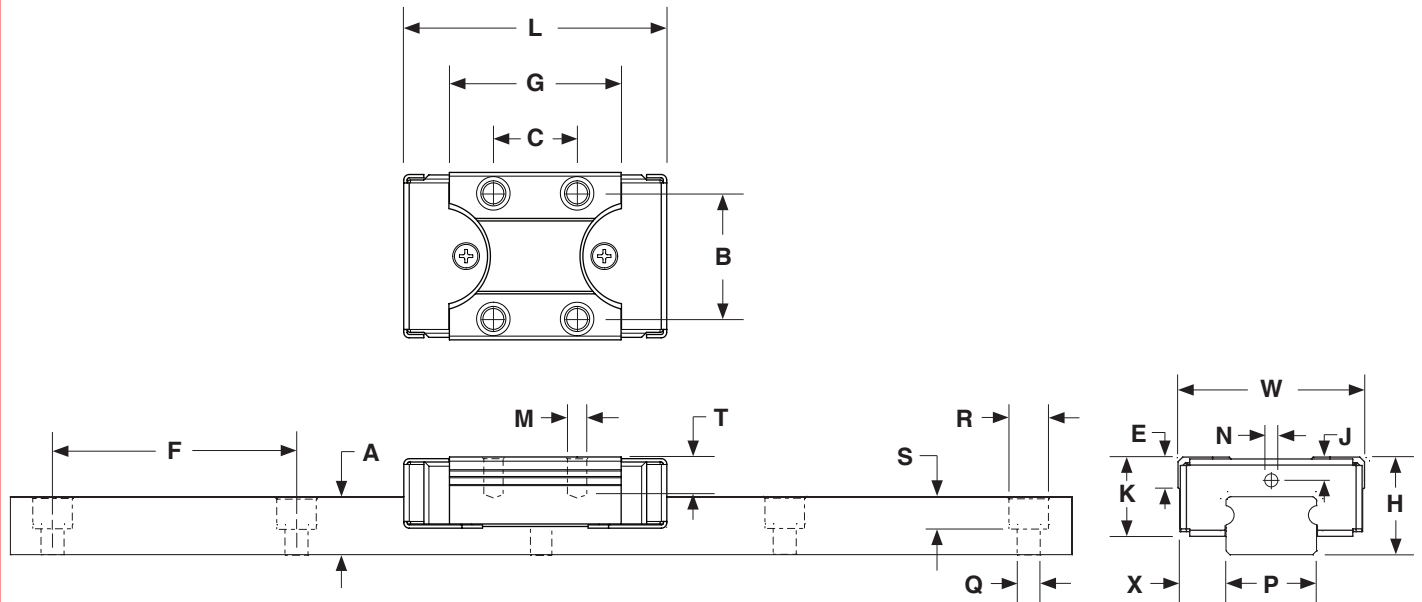
Dimensions & Specifications - EE / EZ End Seals & Reinforcement Plates

Model Number	Outline (mm)			Block Dimensions (mm)								Rail Dimensions (mm)					Weight	
	Height H	Width W	Length L	B	C	M x T	K	G	N	J	E	P	X	A	F	Q x R x S	Block (g)	Rail (g/m)
MR 5 MN EE/EZ MR 5 ML EE/EZ	6	12	16.9 20.4	8 -	- 7	M2 x 1.5 M2.6 x 2	5.0	10.0 13.5	0.7	1.3	2.0	5	3.5	3.5	15	2.4 x 3.5 x 1	3.5 4	116
MR 9 MN EE/EZ MR 9 ML EE/EZ	10	20	31.7 42.0	15	10 16	M3 x 3.0	8.4	20.5 30.8	1.3	2.2	3.3	9	5.5	5.5	20	3.5 x 6 x 3.5	18 28	301
MR 12 MN EE/EZ MR 12 ML EE/EZ	13	27	37.0 49.0	20	15 20	M3 x 3.5	10.9	22.0 34.0	1.3	3.2	4.3	12	7.5	7.5	25	3.5 x 6 x 4.5	34 51	602
MR 15 MN EE/EZ MR 15 ML EE/EZ	16	32	45.2 62.1	25	20 25	M3 x 5.5	13.2	27.0 44.0	1.8	3.3	4.3	15	8.5	9.5	40	3.5 x 6 x 4.5	61 90	930



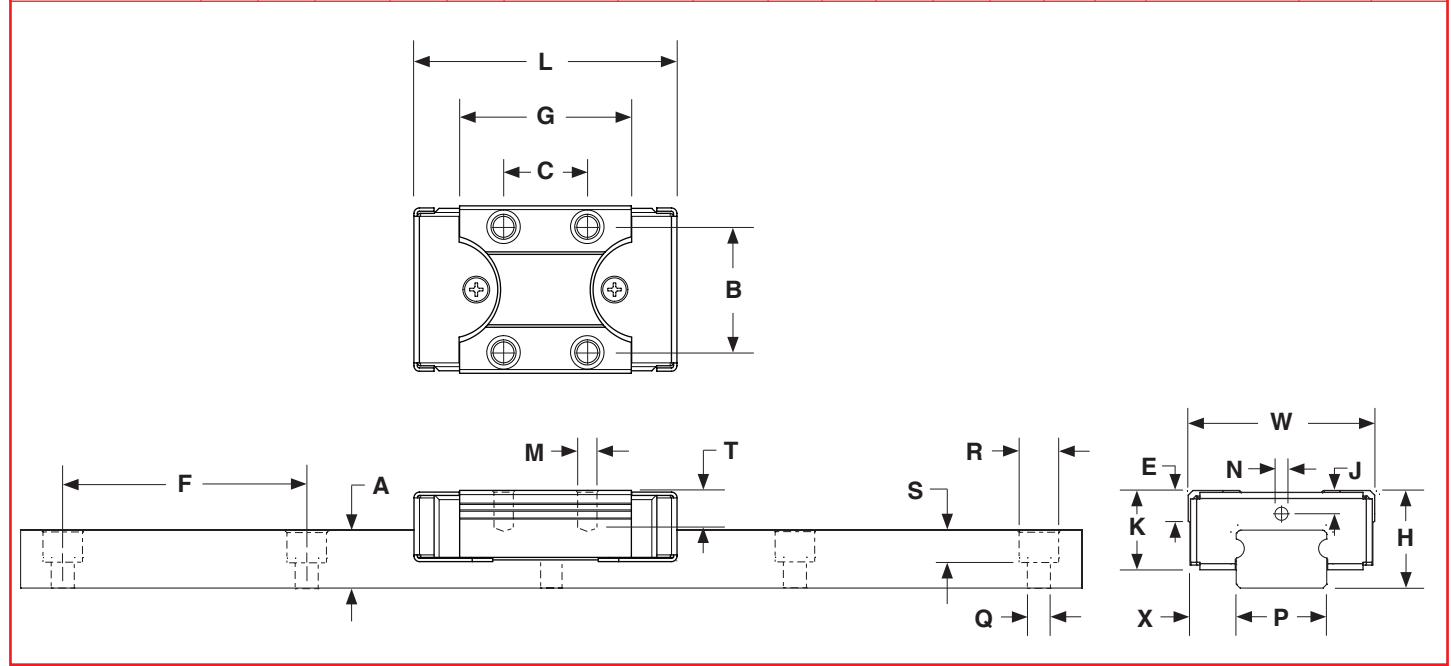
Dimensions & Specifications - EU / UZ End Seals & Reinforcement Plates & Stainless Steel Bottom Seals

Model Number	Outline (mm)			Block Dimensions (mm)								Rail Dimensions (mm)					Weight	
	Height H	Width W	Length L	B	C	M x T	K	G	N	J	E	P	X	A	F	Q x R x S	Block (g)	Rail (g/m)
MR 9 MN EU/UZ MR 9 ML EU/UZ	10	20	31.9 42.0	15	10 16	M3 x 3.0	8.5	20.5 30.8	1.3	2.2	3.3	9	5.5	5.5	20	3.5 x 6 x 3.5	18 28	301
MR 12 MN EU/UZ MR 12 ML EU/UZ	13	27	37.0 49.0	20	15 20	M3 x 3.5	11.0	22.0 34.0	1.3	3.2	4.3	12	7.5	7.5	25	3.5 x 6 x 4.5	34 51	602
MR 15 MN EU/UZ MR 15 ML EU/UZ	16	32	45.1 62.1	25	20 25	M3 x 5.5	13.1 13.2	27.0 44.0	1.8	3.3	4.3	15	8.5	9.5	40	3.5 x 6 x 4.5	61 90	930



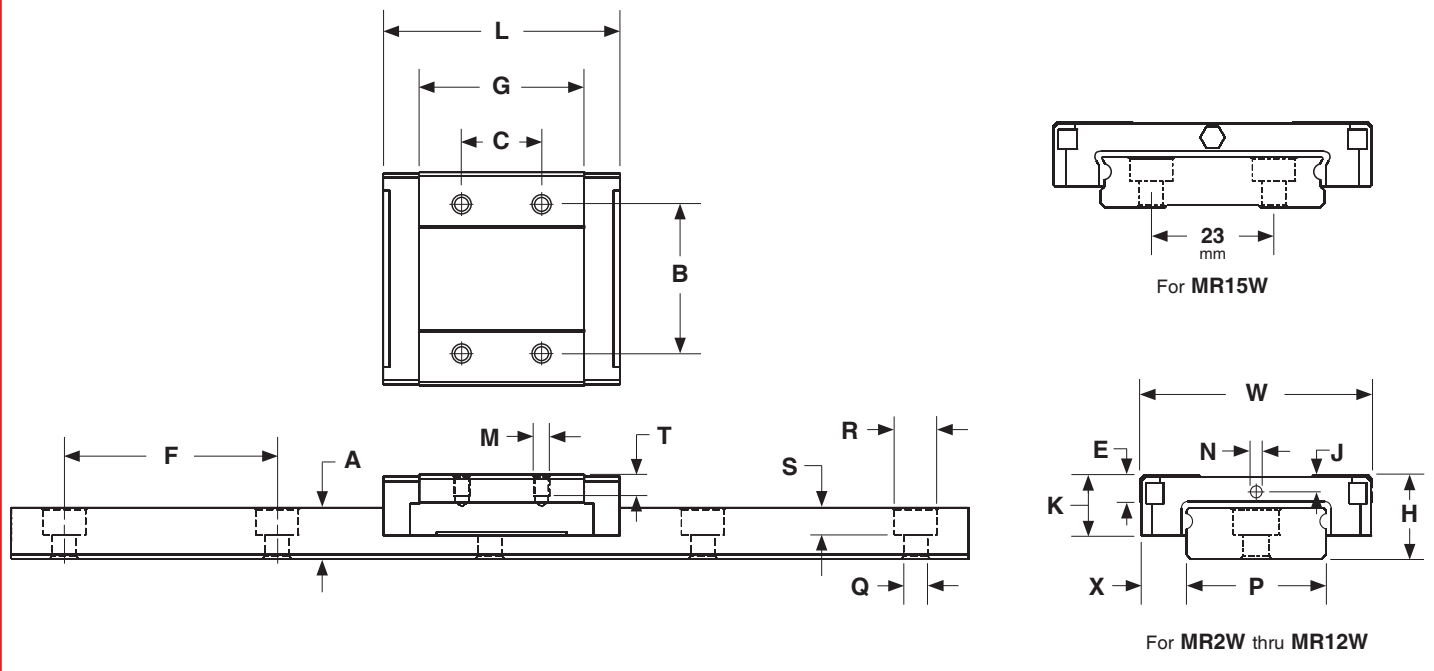
Dimensions & Specifications - SUE / ZUE End & Bottom Seals & Reinforcement Plates

Model Number	Outline (mm)			Block Dimensions (mm)								Rail Dimensions (mm)						Weight	
	Height H	Width W	Length L	B	C	M x T	K	G	N	J	E	P	X	A	F	Q x R x S	Block (g)	Rail (g/m)	
MR 5 MN SUE/ZUE MR 5 ML SUE/ZUE	6	12	16.8 20.3	8	-	M2 x 1.5 M2.6 x 2	5.0 5.1	10.0 13.5	0.7	1.3	2.0	5	3.5	3.5	15	2.4 x 3.5 x 1	3.5 4	116	
MR 9 MN SUE/ZUE MR 9 ML SUE/ZUE	10	20	31.9 42.0	15	10 16	M3 x 3.0	8.7 8.6	20.5 30.8	1.3	2.2	3.3	9	5.5	5.5	20	3.5 x 6 x 3.5	18 28	301	
MR 12 MN SUE/ZUE MR 12 ML SUE/ZUE	13	27	37.0 49.0	20	15 20	M3 x 3.5	11.2 11.1	22.0 34.0	1.3	3.2	4.3	12	7.5	7.5	25	3.5 x 6 x 4.5	34 51	602	
MR 15 MN SUE/ZUE MR 15 ML SUE/ZUE	16	32	45.1 62.0	25	20 25	M3 x 5.5	13.3 13.1	27.0 44.0	1.8	3.3	4.3	15	8.5	9.5	40	3.5 x 6 x 4.5	61 90	930	



Dimensions & Specifications - SS / ZZ End Seals

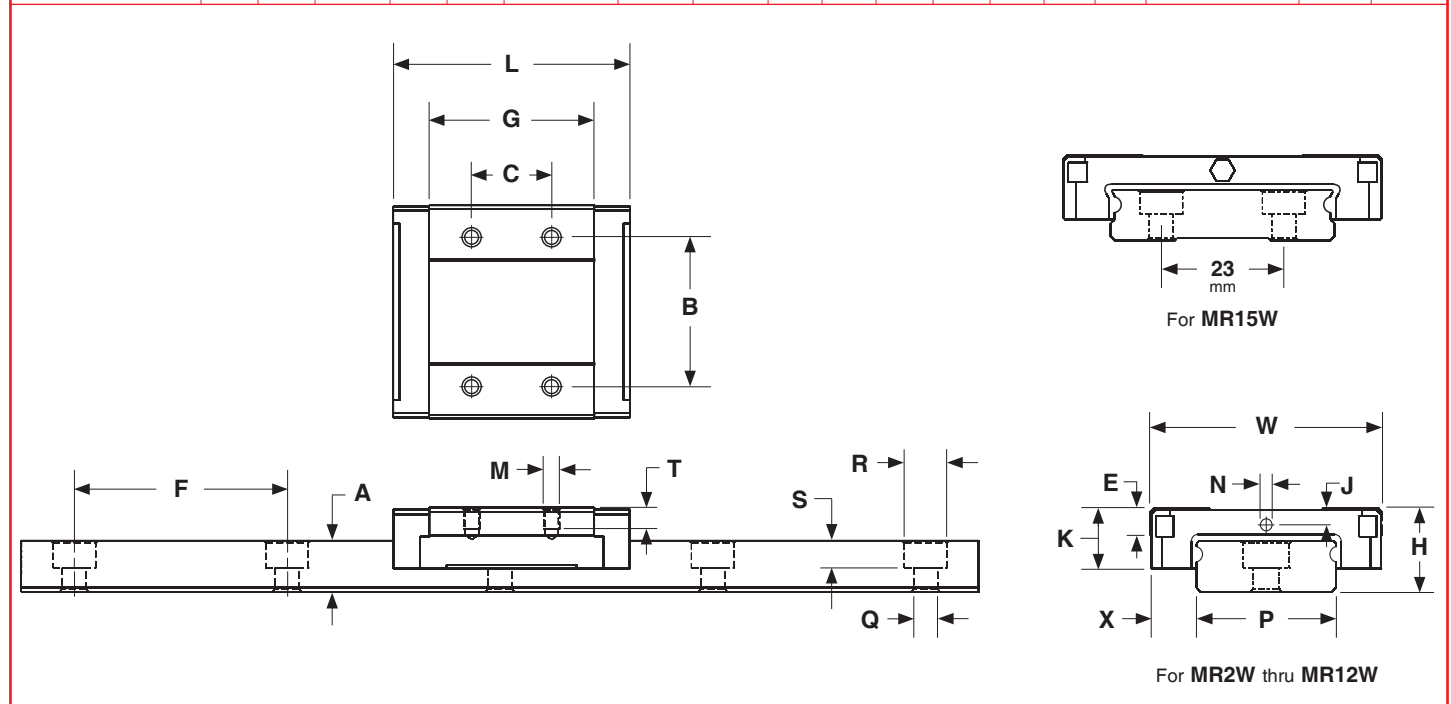
Model Number	Outline (mm)			Block Dimensions (mm)								Rail Dimensions (mm)					Weight	
	Height H	Width W	Length L	B	C	M x T	K	G	N	J	E	P	X	A	F	Q x R x S	Block (g)	Rail (g/m)
MR 2 WL SS/ZZ	4	10	17.4	-	6.5	M2 x 1.3	3.2	11.9	-	-	1.3	4	3	2.6	10	1.8 x 2.8 x 1	3.0	69
MR 3 WN SS	4.5	12	15.3	-	4.5	M2 x 1.4	3.9	10.0	0.3	0.8	1.8	6	3	2.7	15	2.4 x 4 x 1.5	3.4	105
MR 5 WN SS MR 5 WL SS	6.5	17	21.4 27.6	13	6.5 11	M2.5 x 1.5	5.1	15.1 21.2	0.9	1.2	2.3	10	3.5	4	20	3 x 5.5 x 1.6	6 8	280
MR 7 WN SS/ZZ MR 7 WL SS/ZZ	9	25	31.9 40.8	19	10 19	M3 x 3.0	7.1	21.2 30.1	1.1	1.9	3.2	14	5.5	5.2	30	3.5 x 6 x 3.5	19 27	516
MR 9 WN SS/ZZ MR 9 WL SS/ZZ	12	30	39.4 50.8	21 23	12 24	M3 x 3.0	8.8	27.9 39.4	1.3	2.6	4.0	18	6	7.3	30	3.5 x 6 x 4.5	37 51	940
MR 12 WN SS/ZZ MR 12 WL SS/ZZ	14	40	44.9 60.0	28	15 28	M3 x 3.5	10.3	31.1 46.0	1.4	3.1	4.5	24	8	8.5	40	4.5 x 8 x 4.5	65 93	1472
MR 15 WN SS/ZZ MR 15 WL SS/ZZ	16	60	55.7 74.9	45	20 35	M4 x 4.5	12.3	38.5 57.6	1.9	3.3	4.5	42	9	9.5	40	4.5 x 8 x 4.5	137 200	2818



Specifications subject to change without notice

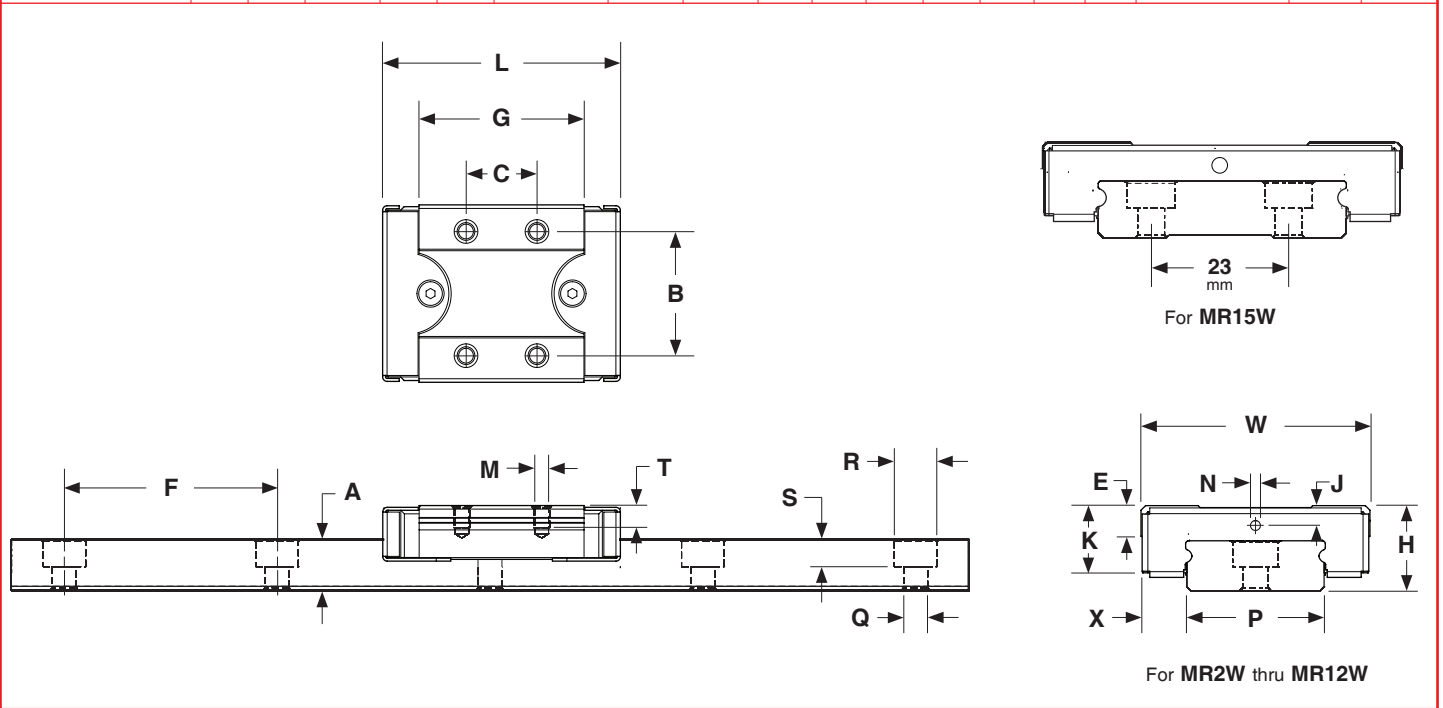
Dimensions & Specifications - SU / ZU End & Bottom Seals

Model Number	Outline (mm)			Block Dimensions (mm)								Rail Dimensions (mm)						Weight	
	Height H	Width W	Length L	B	C	M x T	K	G	N	J	E	P	X	A	F	Q x R x S	Block (g)	Rail (g/m)	
MR2 WL SU/ZU	4	10	17.0	-	6.5	M2 x 1.3	3.1	11.9	-	-	1.3	4	3	2.6	10	1.8 x 2.8 x 1	3.0	69	
MR3 WN SU/ZU MR3 WL SU/ZU	4.5	12	15.4 20.3	-	4.5 8	M2 x 1.4	3.9 4.0	10.0 15.1	0.3	0.8	1.8	6	3	2.7	15	2.4 x 4 x 1.5	3.4 3.4	105	
MR5 WN SU/ZU MR5 WL SU/ZU	6.5	17	21.4 27.5	13	6.5 11	M2.5 x 1.5	5.4 5.5	15.1 21.2	0.9	1.2	2.3	10	3.5	4	20	3 x 5.5 x 1.6	6 8	280	
MR7 WN SU/ZU MR7 WL SU/ZU	9	25	32.0 40.9	19	10 19	M3 x 3.0	7.3 7.4	21.2 30.1	1.1	1.9	3.2	14	5.5	5.2	30	3.5 x 6 x 3.5	19 27	516	
MR9 WN SU/ZU MR9 WL SU/ZU	12	30	39.4 51.0	21 23	12 24	M3 x 3.0	9.1 9.0	27.9 39.5	1.3	2.6	4.0	18	6	7.3	30	3.5 x 6 x 4.5	37 51	940	
MR12 WN SU/ZU MR12 WL SU/ZU	14	40	44.7 59.8	28	15 28	M3 x 3.5	10.5 10.7	31.0 46.0	1.3	3.1	4.5	24	8	8.5	40	4.5 x 8 x 4.5	65 93	1472	
MR15 WN SU/ZU MR15 WL SU/ZU	16	60	55.7 74.8	45	20 35	M4 x 4.5	12.6	38.5 57.6	1.8	3.3	4.5	42	9	9.5	40	4.5 x 8 x 4.5	137 200	2818	



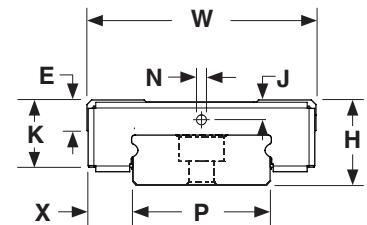
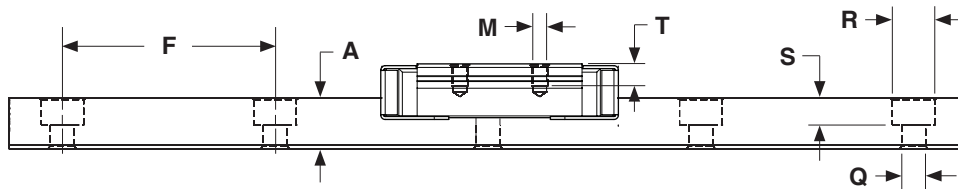
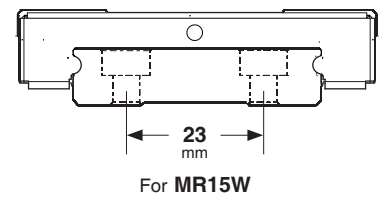
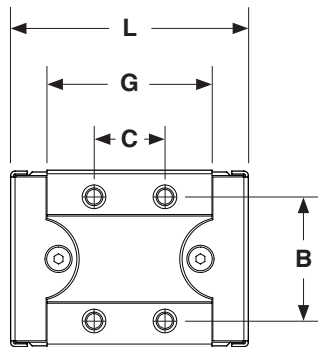
Dimensions & Specifications - EE / EZ End Seals & Reinforcement Plates

Model Number	Outline (mm)			Block Dimensions (mm)								Rail Dimensions (mm)					Weight	
	Height H	Width W	Length L	B	C	M x T	K	G	N	J	E	P	X	A	F	Q x R x S	Block (g)	Rail (g/m)
MR 2 WL EE/EZ	4	10	17.9	-	6.5	M2 x 1.3	3.5	11.9	-	-	1.3	4	3	3	10	1.8 x 2.8 x 1	3.0	69
MR 7 WN EE/EZ MR 7 WL EE/EZ	9	25	32.8 41.7	19	10 19	M3 x 3.0	7.6 7.8	21.2 30.1	1.1	1.9	3.2	14	5.5	5.2	30	3.5 x 6 x 3.5	19 27	516
MR 9 WN EE/EZ MR 9 WL EE/EZ	12	30	40.4 51.9	21 23	12 24	M3 x 3.0	9.5 9.4	27.9 39.5	1.3	2.6	4.0	18	6	7.3	30	3.5 x 6 x 4.5	37 51	940
MR 12 WN EE/EZ MR 12 WL EE/EZ	14	40	46.2 61.3	28	15 28	M3 x 3.5	11.2	31.0 46.0	1.3	3.1	4.5	24	8	8.5	40	4.5 x 8 x 4.5	68 96	1472
MR 15 WN EE/EZ MR 15 WL EE/EZ	16	60	57.4 76.6	45	20 35	M4 x 4.5	12.9 13.0	38.5 57.6	1.8	3.3	4.5	42	9	9.5	40	4.5 x 8 x 4.5	140 203	2818



Dimensions & Specifications - EU / UZ End Seals & Reinforcement Plates & Stainless Steel Bottom Seals

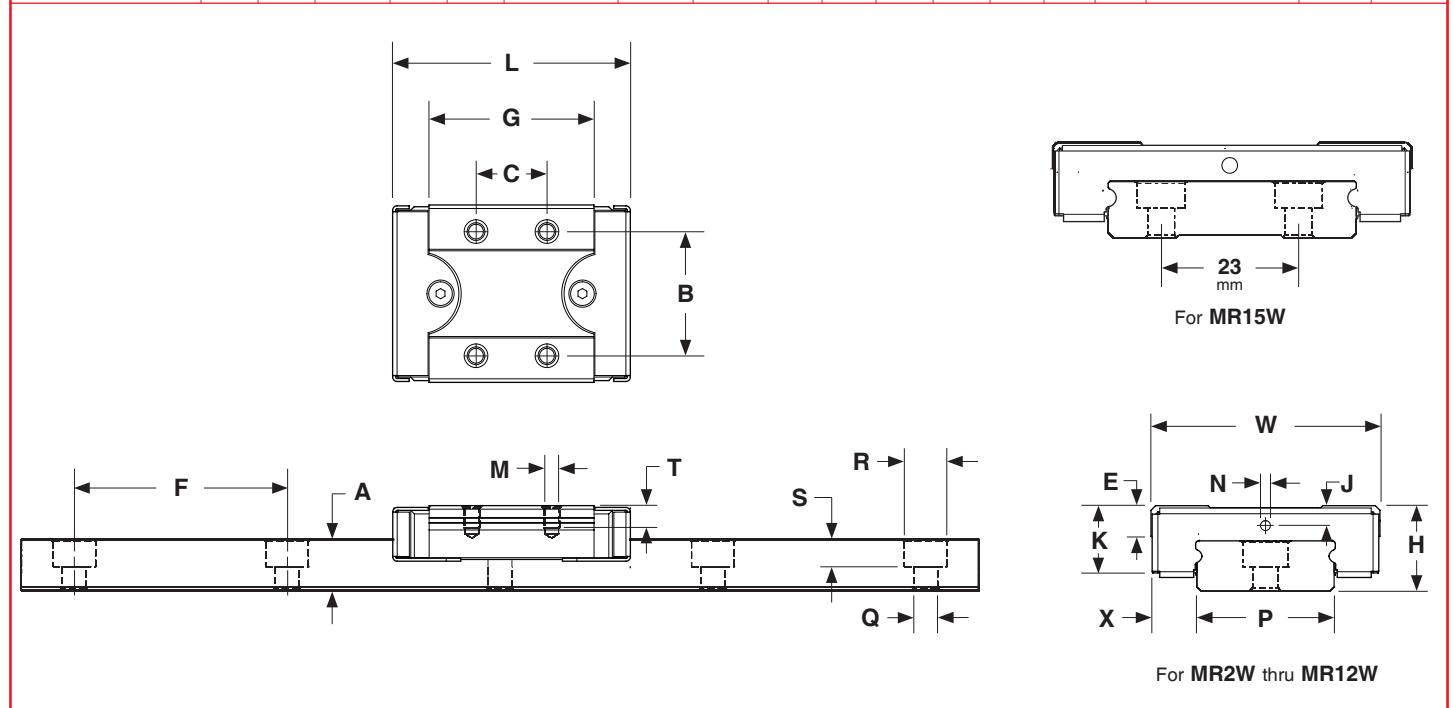
Model Number	Outline (mm)			Block Dimensions (mm)								Rail Dimensions (mm)					Weight	
	Height H	Width W	Length L	B	C	M x T	K	G	N	J	E	P	X	A	F	Q x R x S	Block (g)	Rail (g/m)
MR 9 WN EU/UZ MR 9 WL EU/UZ	12	30	40.4 51.9	21 23	12 24	M3 x 3.0	9.6 9.4	27.9 39.5	1.3	2.6	4.0	18	6	7.3	30	3.5 x 6 x 4.5	37 51	940
MR 12 WN EU/UZ MR 12 WL EU/UZ	14	40	46.1 61.2	28	15 28	M3 x 3.5	11.3 11.2	31.0 46.0	1.3	3.1	4.5	24	8	8.5	40	4.5 x 8 x 4.5	68 96	1472
MR 15 WN EU/UZ MR 15 WL EU/UZ	16	60	57.6 76.7	45	20 35	M4 x 4.5	13.2 13.0	38.5 57.6	1.8	3.3	4.5	42	9	9.5	40	4.5 x 8 x 4.5	140 203	2818



For MR2W thru MR12W

Dimensions & Specifications - **SUE / ZUE** End & Bottom Seals & Reinforcement Plates

Model Number	Outline (mm)			Block Dimensions (mm)								Rail Dimensions (mm)					Weight	
	Height H	Width W	Length L	B	C	M x T	K	G	N	J	E	P	X	A	F	Q x R x S	Block (g)	Rail (g/m)
MR2 WL SUE/ZUE	4	10	17.5	-	6.5	M2 x 1.3	3.4	11.9	-	-	1.3	4	3	3	10	1.8 x 2.8 x 1	3.0	69
MR7 WN SUE/ZUE MR7 WL SUE/ZUE	9	25	32.8 41.6	19	10 19	M3 x 3.0	7.9	21.2 30.1	1.1	1.9	3.2	14	5.5	5.2	30	3.5 x 6 x 3.5	19 27	516
MR9 WN SUE/ZUE MR9 WL SUE/ZUE	12	30	40.4 51.9	21 23	12 24	M3 x 3.0	9.5 9.6	27.9 39.5	1.3	2.6	4.0	18	6	7.3	30	3.5 x 6 x 4.5	37 51	940
MR12 WN SUE/ZUE MR12 WL SUE/ZUE	14	40	46.1 61.1	28	15 28	M3 x 3.5	11.5 11.4	31.0 46.0	1.3	3.1	4.5	24	8	8.5	40	4.5 x 8 x 4.5	68 96	1472
MR15 WN SUE/ZUE MR15 WL SUE/ZUE	16	60	57.5 76.5	45	20 35	M4 x 4.5	13.2	38.5 57.6	1.8	3.3	4.5	42	9	9.5	40	4.5 x 8 x 4.5	140 203	2818



Unit Conversions

Torque Conversions

Present Units	Convert To	Multiply By
Gram-centimeters	newton-meters	0.0000981
Gram-centimeters	ounce-inches	0.0138874
Gram-centimeters	pound-inches	0.000868
Gram-centimeters	pound-feet	0.0000723
Newton-meters	gram-centimeters	10,197.162
Newton-meters	ounce-inches	141.612
Newton-meters	pound-inches	8.85
Newton-meters	pound-feet	0.73756
Ounce-inches	gram-centimeters	72.0077
Ounce-inches	newton-meters	0.007062
Ounce-inches	pound-inches	0.0625
Ounce-inches	pound-feet	0.005208
Pound-inches	gram-centimeters	1,152.0
Pound-inches	newton-meters	0.11299
Pound-inches	ounce-inches	16.0
Pound-inches	pound-feet	0.08333
Pound-feet	gram-centimeters	13,825.5
Pound-feet	newton-meters	1.3558
Pound-feet	ounce-inches	192.0
Pound-feet	pound-inches	12.0

Distance Conversions

Present Units	Convert To	Multiply By
Arc-minutes	degrees	0.016666
Arc-seconds	degrees	0.000277
Centimeters	inches	0.3937
Centimeters	feet	0.03280
Centimeters	microns	10,000.0
Degrees	arc-minutes	60.0
Degrees	arc-seconds	3,600.0
Degrees	radians	0.017453
Feet	centimeters	30.48
Feet	meters	0.3048
Inches	centimeters	2.54
Inches	Km	0.0000254
Inches	meters	0.0254
Inches	microns	25,400.0
Inches	millimeters	25.4
Km	inches	39,370.0
Meters	feet	3.2808
Meters	inches	39.37
Meters	microns	1,000,000.0
Microns	centimeters	0.0001
Microns	inches	0.00003937
Microns	meters	0.000001
Microns	millimeters	0.001
Millimeters	inches	0.03937
Millimeters	microns	1,000.0
Radians	degrees	57.295779

Inertia Conversions

Present Units	Convert To	Multiply By
Gram-cm ²	ounce-inches ²	0.00546745
Gram-cm ²	ounce-inch-sec ²	0.000014161
Gram-cm ²	pound-inches ²	0.000341716
Gram-cm ²	pound-inch-sec ²	0.000000885
Gram-cm ²	pound-feet-sec ²	0.000000074
Ounce-inches ²	gram-cm ²	182.901
Ounce-inches ²	ounce-inch-sec ²	0.00259008
Ounce-inches ²	pound-inches ²	0.0625
Ounce-inches ²	pound-inch-sec ²	0.00016188
Ounce-inches ²	pound-feet-sec ²	0.00001349
Ounce-inch-sec ²	gram-cm ²	70,615.4
Ounce-inch-sec ²	ounce-inches ²	386.0
Ounce-inch-sec ²	pound-inches ²	24.13045
Ounce-inch-sec ²	pound-inch-sec ²	0.0625
Ounce-inch-sec ²	pound-feet-sec ²	0.00520833
Pound-inches ²	gram-cm ²	2,926.41
Pound-inches ²	ounce-inches ²	16.0
Pound-inches ²	ounce-inch-sec ²	0.0414413
Pound-inches ²	pound-inch-sec ²	0.00259008
Pound-inches ²	pound-feet-sec ²	0.00021584
Pound-inch-sec ²	gram-cm ²	1,129,850.0
Pound-inch-sec ²	ounce-inches ²	6,177.4
Pound-inch-sec ²	ounce-inch-sec ²	16.0
Pound-inch-sec ²	pound-inches ²	386.0
Pound-inch-sec ²	pound-feet-sec ²	0.0833333
Pound-feet-sec ²	gram-cm ²	13,558,200.0
Pound-feet-sec ²	ounce-inches ²	74,128.9
Pound-feet-sec ²	ounce-inch-sec ²	192.0
Pound-feet-sec ²	pound-inches ²	4,633.06
Pound-feet-sec ²	pound-inch-sec ²	12.0

Load Conversions

Present Units	Convert To	Multiply By
Grams	newtons	0.009806
Grams	ounces	0.03528
Grams	pounds	0.002204
Kilograms	pounds	2.2046
Newtons	grams	101.971
Newtons	ounces	3.59692
Newtons	pounds	0.224808
Ounces	grams	28.3495
Ounces	newtons	0.27802
Ounces	pounds	0.0625
Pounds	grams	453.592
Pounds	kilograms	0.45359
Pounds	newtons	4.44824
Pounds	ounces	16.0
Pounds	tons	0.0005
Tons	pounds	2,000.0

Terms of Sale

To Order

Any standard, or custom, product from *LINTECH* may be ordered by mail, email, on-line, phone, or fax from an Automation Specialist in your area. To obtain the name of your local Automation Specialist call:

LINTECH[®]
1845 Enterprise Way
Monrovia, CA 91016

Toll Free: (800) 435 - 7494
Phone: (626) 358 - 0110
Fax: (626) 303 - 2035

Web Site: www.LintechMotion.com
E-Mail: Lintech@LintechMotion.com

All required options should be reviewed using the part numbering guide for each model series. Your local Automation Specialist or factory personnel can assist you with any questions you may have.

Delivery

All shipping promises are made in good faith. Any shipping dates appearing on acknowledgments of orders or given to a customer in any other manner are approximate. Where the customer delays in supplying information necessary to proceeding with an order, the date of shipment may be extended accordingly. Standard products from *LINTECH* are usually available for delivery within 1 to 6 weeks of receipt of a purchase order. However, component shortages, labor disputes, or any other unforeseen circumstance may delay the delivery of an order. *LINTECH* shall not be held liable under any circumstance. All products are shipped F.O.B. Monrovia, CA. *LINTECH* packages all standard and custom products carefully. However, *LINTECH* is not liable for damage incurred during shipment. Contact the carrier immediately if damage to a package or shipment is noticed upon receipt of such shipment.

Payment Terms

Unless otherwise specified, payment shall be made by C.O.D, credit card (AMEX, Visa, or Master Card), or net thirty (30) days (pending credit approval) from date of shipment of the items purchased hereunder in U.S. currency. *LINTECH* reserves the right to require deposit payments on non-standard items, customs, or product built to Buyer's designs or specifications. Amounts not timely paid shall bear interest at the rate of 1.5% for each month or a portion thereof that Buyer is late in making payments. No responsibility is assumed by *LINTECH* for damages arising from delivery delays, fires, strikes, material shortages, accidents, or any other cause whatsoever, and purchase orders are accepted subject only to these conditions irrespective of statements or stipulations on purchase orders.

Minimum Order Amount

LINTECH requires a minimum of \$30 List Price U.S. currency on all orders.

Warranty

All *LINTECH* products are guaranteed to be free from defects in material and workmanship, under normal use, for a period of one year after date of shipment. This warranty covers the repair or replacement of a product when it is sent prepaid to *LINTECH*. *LINTECH* does not assume liability for installation, abuse, alteration, insufficient application data provided for a design, or misuse of any positioning system. Products furnished by *LINTECH*, but not manufactured by *LINTECH* (motors, gearheads, encoders, amplifiers, etc....), are subject to the manufacturers standard warranty terms and conditions.

Returns

Any product requiring a return to *LINTECH* (for warranty or non-warranty repair) requires pre-approval from the factory prior to shipment. Contact the customer service department at (800) 435-7494 in order to obtain a RMA (Return Materials Authorization) number. At that time, please have your system Model & Serial numbers available, along with the reason for the return. The RMA number should be clearly marked on the returned package label and your packing list, or shipping document. Return product freight prepaid in its original package or one with comparable protection. *LINTECH* will not accept return shipments sent freight collect. Product damage incurred during return shipment, from poor packaging, will not be warranted by *LINTECH*. Keeping original packing materials is recommended until initial inspection and testing is completed.

Dimensions and Product Changes

Published dimensions shown in *LINTECH* catalogs are known to be accurate at time of printing. *LINTECH* shall not be held liable, under any circumstances, for any wrongly documented dimension or specification. Changes in design are made whenever *LINTECH* believes its products will improve by the change. No obligation to incorporate these changes in units manufactured prior to a change will be assumed.

Cancellations

All items entered for production and on which a cancellation is requested shall be paid for on the basis of actual cost of labor, materials, and supplies applied to the production of such items plus proper overhead expenses determined in accordance with good accounting practice, plus 25% of the total of such cost and expenses; provided that such cost and expense plus 25% shall in no case exceed 100% of the quoted price of original order. Upon cancellation, *LINTECH* may dispose of materials used in the manufacture of cancelled order as it sees fit.



Mechanical Motion Solutions

For over 48 years, *LINTECH*[®] has designed and manufactured numerous standard and custom mechanical motion control products that are used in a wide range of applications and markets. This document highlights cut to length round rail precision shafting, round rail linear bearings (with or without pillow blocks), steel & aluminum shaft supports, shaft assemblies (single & *TWINRAIL*[®]), *TWINRAIL*[®] carriage assemblies, profile rail linear guides, rolled & ground ball screw assemblies, acme & ball screw driven actuators, belt driven slides, worm gear driven rotary tables, and a wide range of custom positioning assemblies.



1845 Enterprise Way
Monrovia, CA. 91016
Phone: (800) 435 - 7494
(626) 358 - 0110
Fax: (626) 303 - 2035

Web Site: www.LintechMotion.com
E-Mail: Lintech@LintechMotion.com

YOUR LOCAL AUTOMATION SPECIALIST:

