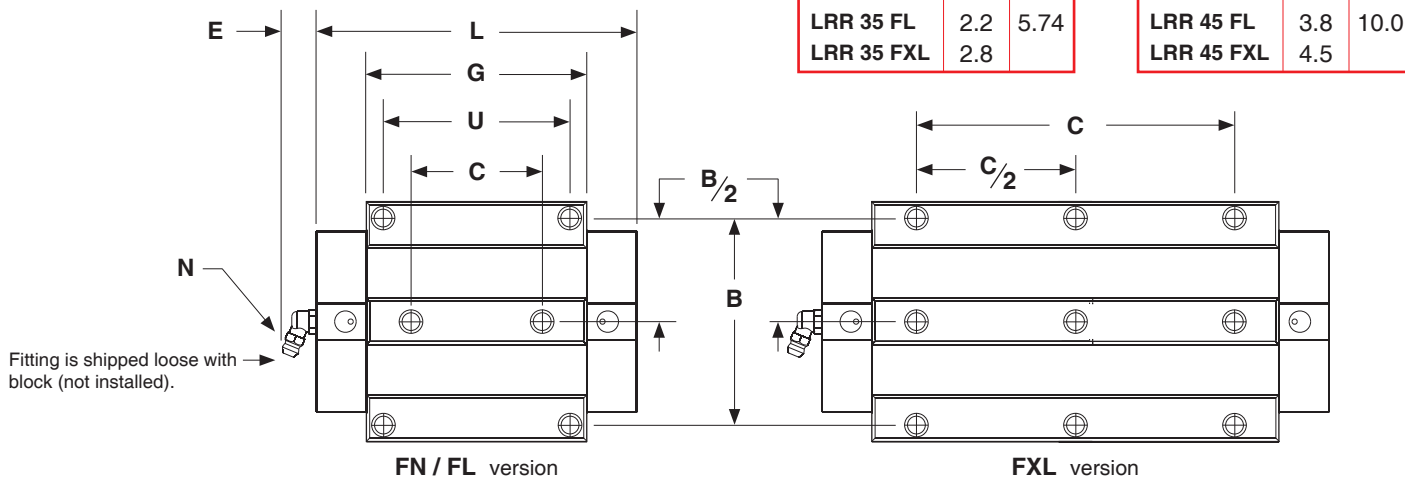


Dimensions & Specifications

Model Number	Outline (mm)			Block Dimensions (mm)													Rail Dimensions (mm)					
	Height H	Width W	Length L	B	C	U	M x T	M ₁ x T ₁	K	G	N	J	E	O	Z	V	P	X	A	F	Q x R x S	
LRR 35 FN			122	52	62				84													
LRR 35 FL	44	100	147.5	82	52	62	M8 x 9	M10 x 13	38	109.5	M6 x 12	6	12	M6 x 8	12.4	11	34	33	31	40	9 x 14 x 17	
LRR 35 FXL			177.5		100				139.5													
LRR 45 FN			156	60	80				110													
LRR 45 FL	52	120	191	100	60	80	M10 x 10	M12 x 15	44	145	M6 x 12	6.6	12	M6 x 8	13.8	11	45	37.5	38	52.5	14 x 20 x 17	
LRR 45 FXL			226		120				180													

Model Number	Weight	
	Block (kg)	Rail (kg/m)
LRR 35 FN	1.55	
LRR 35 FL	2.2	5.74
LRR 35 FXL	2.8	

Model Number	Weight	
	Block (kg)	Rail (kg/m)
LRR 45 FN	2.9	
LRR 45 FL	3.8	10.0
LRR 45 FXL	4.5	



Rail Size	(mm)			
	D x Y	P	A	F
LRRU 35	M8 x 15	34	31	40
LRRU 45	M12 x 19	45	38	52.5

Rail Tapped from Bottom

