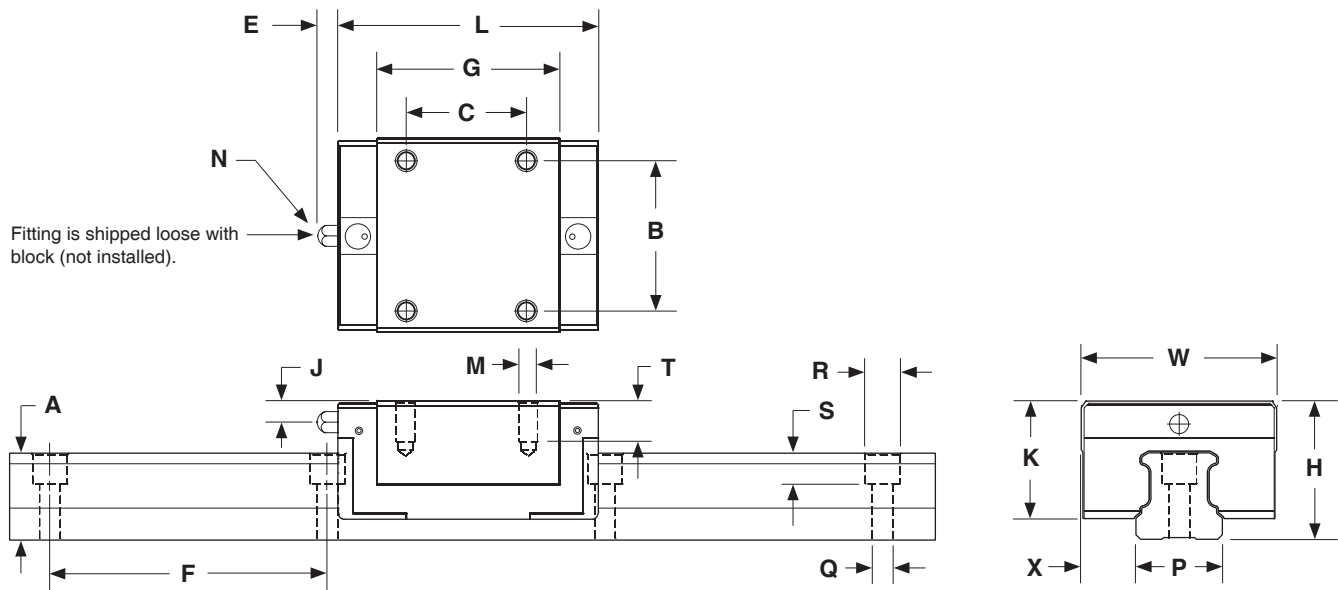


## Dimensions & Specifications

Model Number	Outline (mm)			Block Dimensions (mm)								Rail Dimensions (mm)					Weight	
	Height H	Width W	Length L	B	C	M x T	K	G	N	J	E	P	X	A	F	Q x R x S	Block (kg)	Rail (kg/m)
HRC 15 MN HRC 15 ML	28	34	55.5 76.2	26	26	M4 x 7	24.7	40.3 61	M3 x 6.5	8.5	5.3	15	9.5	15	60	4.5 x 7.5 x 5.3	0.20 0.40	1.29
HRC 20 MN HRC 20 ML	30	44	69 87.2	32	36 50	M5 x 8.5	25	52 70.2	M3 x 7.5	6	10	20	12	20	60	6 x 9.5 x 8.5	0.32 0.40	2.28
HRC 25 MN HRC 25 ML	40	48	81.2 105	35	35 50	M6 x 9	34	62.2 86	M6 x 7.5	12	12	23	12.5	23	60	7 x 11 x 9	0.58 0.69	3.02
HRC 30 MN HRC 30 ML	45	60	95.5 118	40	40 60	M8 x 12	38.2	71.5 94	M6 x 8.5	10.5	12	28	16	27	80	9 x 14 x 12	0.90 1.15	4.38
HRC 35 MN HRC 35 ML	55	70	111.2 136.6	50	50 72	M8 x 13	47.4	86.2 111.6	M6 x 10	15	12	34	18	32	80	9 x 14 x 12	1.43 1.95	6.79
HRC 45 MN HRC 45 ML	70	86	135.5 171.5	60	60 80	M10 x 20	60.7	102.5 138.5	PT1/8 x 12.5	21.1	14	45	20.5	39	105	14 x 20 x 17	2.79 4.06	10.53
HRC 55 MN HRC 55 ML	80	100	168.5 202	75	75 95	M12 x 25	68	126.5 160	M6 x 10	23.5	12	53	23.5	45.7	120	16 x 24 x 20	5.11 6.24	14.0



Rail Size	(mm)			
	D x Y	P	A	F
HRCU 15	M5 x 8	15	15	60
HRCU 20	M6 x 10	20	20	60
HRCU 25	M6 x 12	23	23	60
HRCU 30	M8 x 15	28	27	80
HRCU 35	M8 x 15	34	32	80
HRCU 45	M12 x 19	45	39	105
HRCU 55	M14 x 24	53	45.7	120

Rail Tapped from Bottom

